



AMERICA'S FOOT SWITCH LEADER

# FULL LINE CATALOG

860.974.1000 • [linemaster.com](http://linemaster.com)

# TABLE OF CONTENTS



LINEMASTER SWITCH CORPORATION  
 29 PLAINE HILL RD. POB 238  
 WOODSTOCK, CT 06281-0238 USA  
 WWW.LINEMASTER.COM  
 CALL: 860.974.1000  
 FAX: 860.974.0691  
 FAX TOLL FREE (US ONLY): 800.974.3668

Corporate Capabilities.....	4-5
Industrial Applications & Products.....	6-7
Medical Applications & Products.....	8-9
Customization.....	10-11
Customization Options.....	12-13
Design & Production.....	14
Quality & Testing.....	15
Wireless Capabilities.....	16
Corporate History.....	17
Special Variations (OEM).....	18-19

## LINEMASTER FOOTWITCHES

Air Seal.....	21
Anti-Trip Hercules.....	22-26
Aquiline.....	27-29
Atlas.....	30-33
Classic II.....	34
Classic III.....	35-36
Classic IV.....	37-38
Clipper.....	39-40
Clipper II.....	41
Compact.....	42
Compact II.....	43
Deluxe.....	44
Deluxe II.....	45
Dolphin.....	46
Duplex.....	47
Electronic AC Speed Control.....	48
Executive.....	49
Explosion Proof.....	50-53
Industrial.....	50-51
Medical.....	52-53
Gem-V & VK.....	54
Hercules.....	55-58
Hercules Potentiometer.....	69-62
Junior.....	63
Lektro-Lok.....	64
Nautilus.....	65
Pneumatic AirVals.....	66-71

LINEMASTER® Switch Corporation reserves the right to change the content of this catalog at anytime without notice. Refer to [www.linemaster.com](http://www.linemaster.com) for up to date product information.

Classic.....	66
Clipper.....	67-68
Compact.....	69
Hercules.....	70
Premier.....	71
Premier.....	72
RF Hercules.....	73
Slim-Line.....	74
Treadlite II.....	75-76
Vanguard.....	77
Varior Potentiometer.....	78
RF Wireless Crescent.....	79-81
Single.....	79
Twin.....	80
Triple.....	81
RF Wireless Aero.....	82-84
Single.....	82
Twin.....	83
Triple.....	84
Accessories.....	85-92
Shields.....	87-88
Awareness Cover.....	88
Guards.....	89-92
Vinyl Boot.....	92
Replacement Parts.....	93-99
Cordset & Molded Plug Information.....	99-100
Cord Information.....	101-102
IP Ratings Explained.....	103-104
Agency Markings & Approvals.....	105
Glossary of Terms.....	106
Commitment To Quality.....	107
! WARNING !.....	108

## SYMBOLS USED IN THIS CATALOG



# CORPORATE CAPABILITIES

Linemaster is the global leader in manufacturing foot switches for medical and industrial applications. The world's best and largest original equipment manufacturers turn to Linemaster for highly-engineered, custom, foot control products. Whether you need traditional, standard, custom, wireless, durable industrial, or medical-grade foot controls, Linemaster's experience and extensive capabilities gives you a competitive edge.

Highly engineered foot control products with innovative and flexible design: no wonder Linemaster is the leading foot switch manufacturer in the world and a giant in the US market, where we are 25 times bigger than the next biggest competitor. We reached this status by focusing solely on what we do best: foot controls.



LINEMASTER'S MISSION  
IS TO PROVIDE A  
SUPERIOR FOOT SWITCH  
AT AN AFFORDABLE PRICE  
WITHOUT COMPROMISE.  
THIS MISSION IS MET  
EVERY SINGLE DAY.

# LINEMASTER INDUSTRIAL APPLICATIONS & PRODUCTS

Linemaster delivers unmatched capabilities to design and manufacture foot controls with limitless applications. From heavy duty to light duty, traditional to wireless, Linemaster foot controls and accessories are widely recognized as the best in the world.

Since its founding in 1952, Linemaster has come to be the standard by which all other foot switches are judged. Linemaster was the first to market with an IR wireless foot switch that met the exacting demands of our customers.

- Electromechanical
- Pneumatic
- Linear Hall Effect
- Digital and Linear Switches
- Wireless RF
- Air Operated



In addition to its full-service custom foot switch operations, Linemaster offers more than 550 standard catalog models, more than any other manufacturer in the global marketplace. We aggressively develop and produce cutting-edge technologies that meet and anticipate our customers' needs. With a complete range of electric, air-powered, variable speed, and wireless foot switches, we have made turnkey and custom variations a specialty.

## LINEMASTER FOOT CONTROLS AT WORK IN THE INDUSTRIAL WORLD

- Adhesive Dispensers
- Abrasive Blasters
- Packaging Equipment
- Conveyers
- Material Handling Equipment
- Man Lifts
- Communications Equipment
- Lighting
- Engine Brake
- Alarms / Security
- Emergency Vehicles - Siren / Horn
- Terminal Applicators
- Degreasers
- Metal Working Machines
- Electric Vehicles
- Farm Equipment
- Engravers Machinery
- Scissor Lifts
- Riveting Machinery
- Soldering / Desoldering / UV Curing / Welding Equipment
- And Many More!

LINEMASTER FOOT CONTROLS  
ARE IN USE IN HUNDREDS OF  
INDUSTRIAL APPLICATIONS.

# LINEMASTER MEDICAL APPLICATIONS & PRODUCTS

## LINEMASTER FOOT CONTROLS AT WORK IN THE MEDICAL WORLD

Linemaster holds approximately 90 percent of the medical OEM foot control business in the US market. You will find Linemaster Foot Controls being used in conjunction with the following medical equipment:

- Electrosurgical Generators
- Biopsy Systems
- Bone Saws
- CT Scanners
- Dental Chairs
- Medical Lasers
- Endoscopy
- Fluoroscopes
- Liposuction
- Laparoscopic Surgery
- Medical Cameras
- Medical Tables
- MRI Systems
- Surgical Navigation Systems
- Ophthalmic Surgery
- Surgical Shavers
- Lighting Controls
- Surgical Visualization & Image Management Systems
- Surgical Microscopes
- Ultrasonic Diagnostic Systems
- X-Ray Equipment (C-Arm)
- Mammography
- And Many More



With Linemaster, you get more than a manufacturer of high-quality medical grade foot switches, you have a partner that will lead you through the sometimes difficult regulatory and compliance processes associated with the medical industry. Our regulatory know-how, FDA clearances, and respected universal quality management systems will ensure that your product meets the high requirements for safety, reliability, function, and ergonomics.

Linemaster's track record speaks for itself: we have proven success working with the most rigorous medical specifications in the world. The most renowned medical device companies have turned to Linemaster again and again for the best medical foot controls available worldwide.

Linemaster processes and quality systems are proven to result in the best and most reliable medical grade foot switches available.

### LINEMASTER'S QUALITY MANAGEMENT SYSTEMS INCLUDE:

- **FDA 510(K):** Linemaster is the only foot control company in the world to obtain FDA 510(k) Clearance on an IR wireless foot switch.
- **ISO 13485** This internationally recognized Quality Management Systems Standard was established for the design and manufacture of medical devices. Linemaster has demonstrated the ability to successfully implement a comprehensive management system for the design and manufacture of medical devices that meet the ISO Standard, FDA QSR, and regulatory requirements. The addition of the ISO 13485 to the FDA 510(k) clearance reflects Linemaster's commitment to continuous improvement with the Quality process.
- **Linemaster Quality Policy:** We are committed to provide the highest standard quality products and services that will meet or exceed our Customers' requirements, comply with regulatory requirements, and to maintain and improve the effectiveness of the quality management system.
- **EUMDR:** Linemaster can help support our customers medical documentation need working together to save time.



We are proud that we have the longest list of satisfied customers in high profile, start-up, and mid-level businesses worldwide. Our diverse background means that we have catered to a multitude of diverse medical grade foot switch applications. If you can think of an application, Linemaster has probably already designed a foot switch solution for it.

LINEMASTER FOOT CONTROLS  
ARE IN USE IN HUNDREDS  
OF MEDICAL APPLICATIONS.

# LINEMASTER CUSTOMIZATION

Linemaster is the primary partner in all O.E.M. needs. From original engineering and design to special paint finishes, nameplates, mounting provisions, and packaging, Linemaster makes your specific product possible – and profitable. Linemaster can bring to bear its extensive experience to design a foot control that meets your specific needs, saving you time to market and avoiding costly design pitfalls.

## O.E.M. OPTIONS INCLUDE:

- Private Label
- Custom Nameplate Service
- Gold Alloy Contacts
- Multipedal Controls
- Custom Cordset Service
- Multiple Listing
- CE Marking
- FDA Approval
- UL Standards
- Restriction of Hazardous Substances
- Waste Electrical and Electronic Equipment
- Material Safety Data Sheets
- Environmental Performance
- Handle Options
- Toe Loops
- Wired or Wireless
- Strain Relief Considerations
- Custom Color Matching
- Silk Screen And Pad Printing
- Anti Skid Foot Pads and Base Pads



Every medical-grade foot control we manufacture is built in our Medical White Room, which features ESD Safe Construction for handling electronics, such as anti-static pads, grounded chairs, and grounding bracelets for technicians.

At Linemaster, we know how to navigate and meet industry standards and regulations, from the FDA to Underwriters Laboratories, the U.S Department of Commerce, and international regulators, we have established working relationships and industry knowledge that can be leveraged for your product. All Linemaster foot switches are UL Listed, CSA Certified or UL Recognized Components. Under UL and CSA Multiple Listing Programs, it is possible to include the UL or CSA insignias on nameplates. In addition to the familiar NEMA, UL and CSA enclosure types, LINEMASTER® offers a variety of standard foot switches that meet IEC 529, Type IP68 and/or IEC 60601-2-2, Section 44, Subparagraph aa requirements for protection against access to and the entrance of foreign objects and water to the electrical switching elements and connections. This is accomplished by either sealing the enclosure or the switching element itself. Virtually all of our foot switch families can be constructed to accommodate these requirements as a special variation for the O.E.M.



## PRIVATE LABELING

With this option, the O.E.M. can order foot switches with a nameplate which is identical to our standard nameplate except the customer name and address would replace the LINEMASTER® name and address. All other information would remain the same.

## CUSTOM NAMEPLATE SERVICE

Special nameplates and custom WARNING labels are available to the O.E.M. as part of a special foot switch assembly or as separate items.

## GOLD ALLOY CONTACTS

In most applications that required a foot operated switch, our customers have found that one of our standard basic models have met their needs. In those special design applications that require a special foot control with gold alloy contacts, we can offer the O.E.M. a basic snap switch with SPDT gold alloy contacts rated 1 Amp 125 VAC in most of our foot switch housings. The use of this basic gold alloy snap switch, would delete all agency approvals where noted. Before a decision is made to specify gold alloy contacts, we would suggest that a standard foot switch model be evaluated in the particular application.

## MULTI PEDAL CONTROLS

Many of our basic foot switch models can be mounted in combinations to provide multi function foot controls. Several of the more commonly required dual models are offered as standard twin units and are shown in the catalog and listed in the price sheet. Other multi pedal combinations are available to the O.E.M. on special order, in production quantities. Please refer to the back cover of the catalog for some representative examples. Up to eight DPDT functions can be incorporated in a single assembly.

## CUSTOM CORDSET SERVICE

Custom cordsets are available to the O.E.M. as part of a complete foot switch assembly or as separate items. LINEMASTER® is a UL Recognized and CSA Certified source for Wiring Harnesses and Processed Wire.

## DOCUMENTATION SUPPORT

PPAP, FMECA, PFMEA, IQ, OQ, PQ, DHR, Production Drawing Packages, Quality Test Procedures, Control Plan, Work Flow, FDA Registered 3001592626, ISO 13485:2016 Registered C206-01876-R2

## MULTIPLE LISTING

All LINEMASTER foot switches are UL Listed, CSA Certified or UL Recognized Components. Under UL and CSA Multiple Listing Programs, it is possible for the O.E.M. to include the UL or CSA insignias on their own nameplate. Please contact the factory for details.

## CE MARKING

Many of our foot switches are or, with modifications, can be CE Marked to meet the EC Low Voltage Directive. We are working with Underwriters Laboratories, TÜV Product Service and TÜV ESSEN to meet the needs of our customers requiring CE Marking to specific EN standards. Our foot switches are considered general use devices and see a wide variety of end uses. To this end we have an on-going long term project with UL to investigate our entire product line to various EN Standards. It should be noted; a foot switch that is to be attached to a finished product by the Original Equipment Manufacturer need not be CE Marked. According to the U.S. Department of Commerce, we can ship our foot switches to the European Community provided the following declaration is made on the shipping documents: "These components are intended exclusively for an industrial assembly operation for incorporation in apparatus."

## FDA

Many of our foot switches are used on a wide variety of medical device products. The FDA considers the foot switch to be a component and not an accessory when used with the manufacturer's finished medical device.

## UL

Underwriters Laboratories  
UL (Underwriters Laboratories, Inc.): Standards agency and testing laboratory for the United States. UL also has some limited involvement in international certifications.

## ENVIRONMENTAL PERFORMANCE

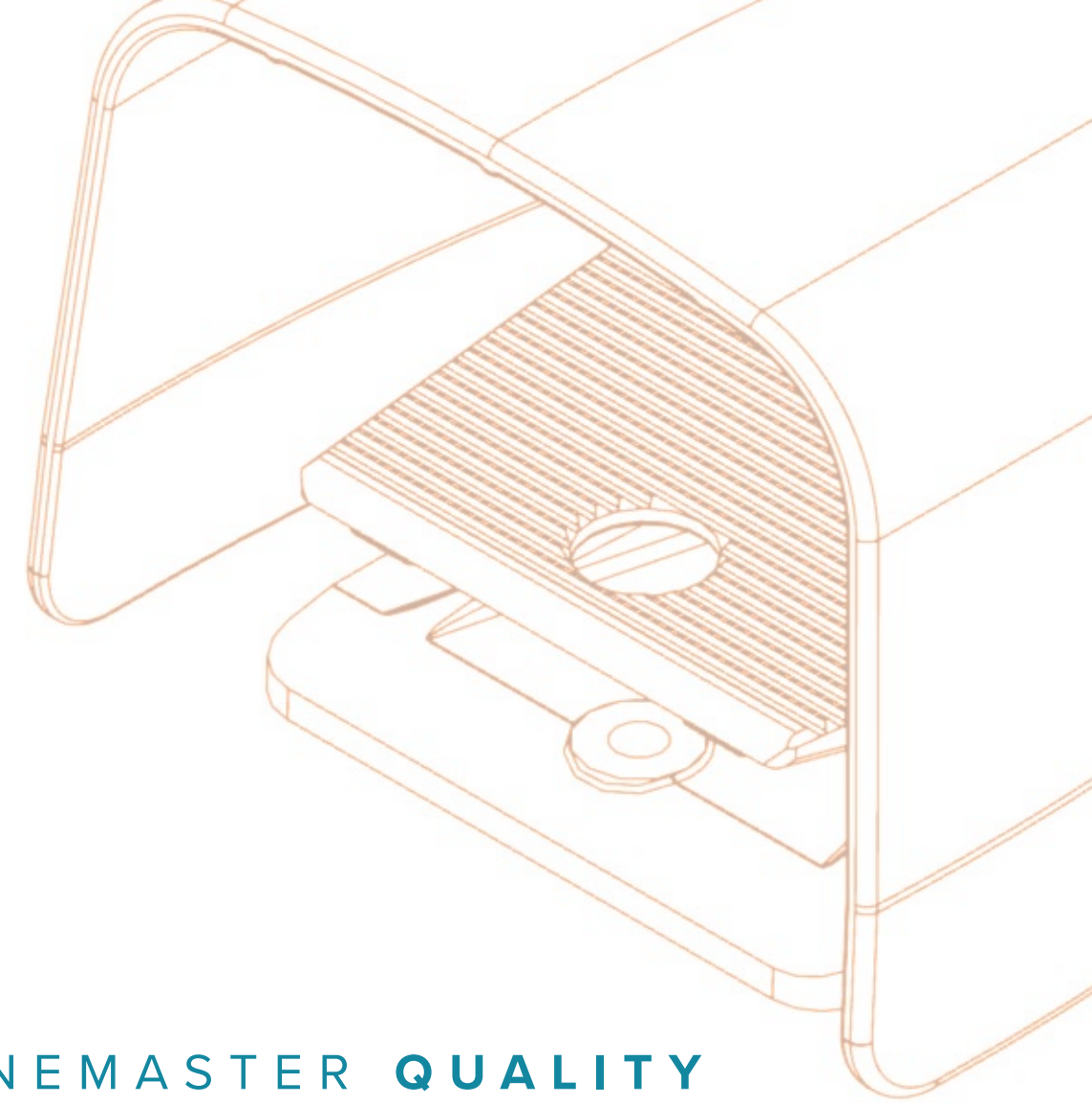
In addition to the familiar NEMA, UL and CSA enclosure types, LINEMASTER offers a variety of standard foot switches that meet IEC 529, Type IP68 and/or IEC 60601-2-2, Section 44, Subparagraph aa requirements for protection against access to and the entrance of foreign objects and water to the electrical switching elements and connections. This is accomplished by either sealing the enclosure or the switching element itself.



## LINEMASTER DESIGN AND PRODUCTION

Linemaster's Creative Design Team keeps your bottom line top of mind. Our team ensures that there is minimal, if any, non-recurring engineering expenses. Tooling is provided at cost. In-house artwork capabilities and an on-site printed circuit board lab means that outstanding flexibility and ingenuity are within budget. New technologies are at our fingertips, such as Radio Frequency, Hall Effect Linear Devices, Magnetically Immune Circuitry for MRI Suite applications, Pneumatic, Pneumatic Linear Actuators, USB, RS232, RS485, and tapered linear feedback foot controls. Custom cable, sizes, weight, functionality, handles, toe loops, paint, silk screen, base pads, dividers, electronics, LED's, and guards— the possible features of a new custom design are nearly limitless.

Once your custom design is complete, our production process begins, and you're in good hands, literally. Linemaster's trained and certified technicians are carefully selected to assemble and test our sophisticated medical-grade foot controls with state-of-the-art equipment. We have a LEAN Manufacturing professional on site, and our well-organized facility enables optimum workflow. Linemaster offers Vertically Integrated Human Resources, with hundreds of years of degreed and real-world engineering that is working for you.

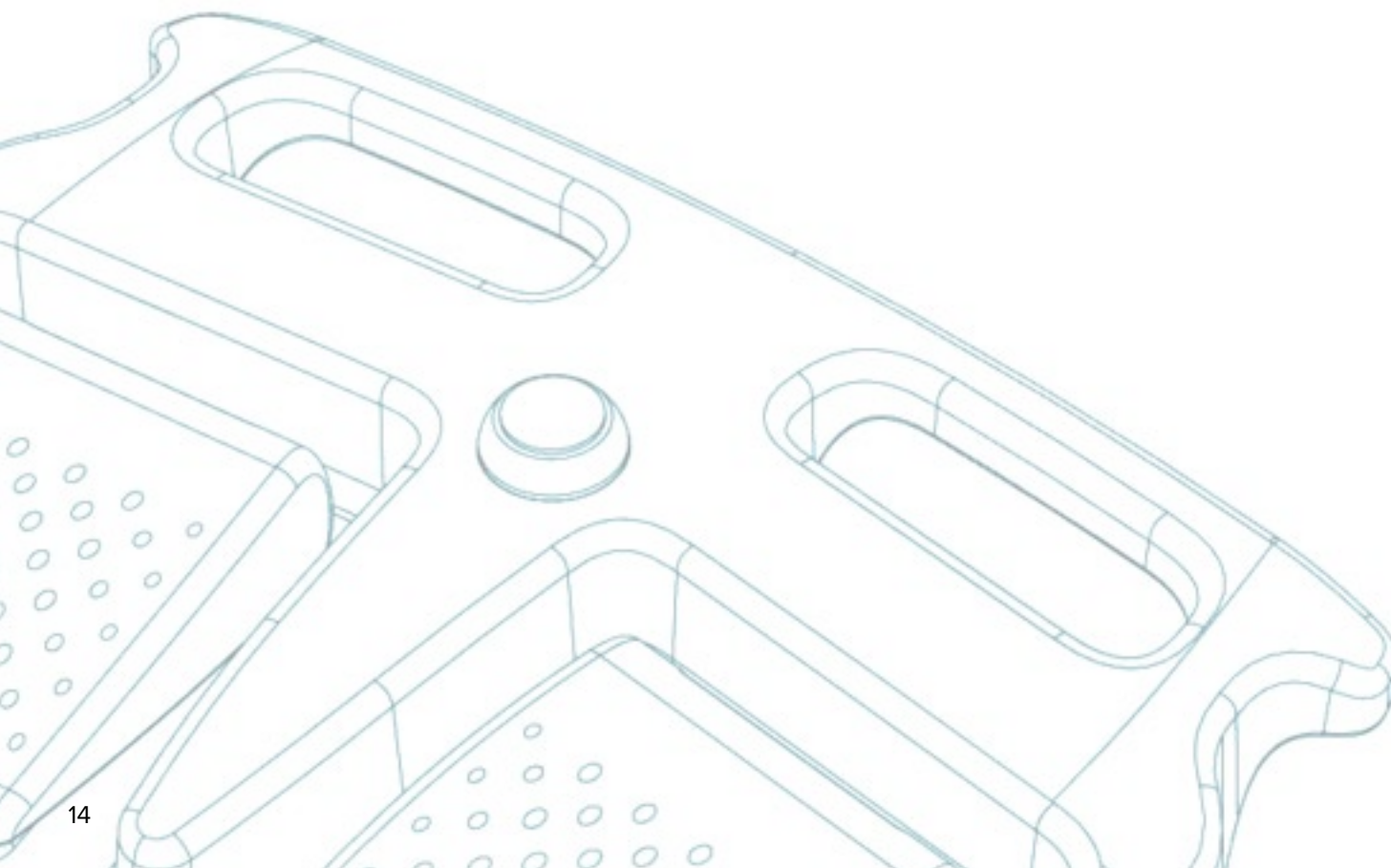


## LINEMASTER QUALITY AND TESTING

Linemaster's rapid prototyping capabilities mean that your custom foot control is in pilot stage quickly and efficiently. Design validation prototypes and production runs lead our extensive testing protocols. Linemaster utilizes Automated Testing Equipment, a water-testing room to test IP68 foot controls, Hypot Test Equipment for first piece inspection, Drop Tests, Pull Tests for testing cable and strain reliefs, Flex Testing of cables, as well as Continuity, Shipping, Environmental, mean time between failure (or Life), and Impact tests.

Through it all, Linemaster's team is managing proper documentation. Project files containing emails, customer drawings, Linemaster preliminary drawings, and any other correspondence are kept to track the entire life of the project. Every step is traceable through barcode labeling, serial numbering, intelligent part numbers, and date coding – everything you need for any and all global market regulatory agencies.

Linemaster's trained and certified technicians are carefully selected to assemble and test our foot controls with state-of-the-art automated test equipment. From custom design to finished product, Linemaster's promise of timely delivery of the highest possible quality product is met every day.



# UNPARALLELED WIRELESS CAPABILITIES

Get wireless technology and limitless capability from the company that was first to market with a wireless footswitch that met the high demands of our customers. Linemaster is also the only foot control company in the world to obtain FDA 510(k) Clearance on an IR Wireless Foot Switch.

Linemaster's RF wireless foot controls provide the ease of use, mobility, and hygiene while meeting the stringent safety and reliability requirements – whether your needs are medical or industrial.

Linemaster's standard RF Wireless foot controls are offered with up to (5) digital and (3) analog switch functions with additional switch functions available upon request. Linemaster's RF Technology utilizes the well-established IEEE 802.15.4 Standard and operates in the worldwide ISM 2.4 GHz frequency band. Our unique and robust proprietary communication scheme does not require the use of bi-directional link or acknowledgement, which greatly reduces the amount of air traffic and potential interference. This proprietary design also offers a battery life that is second to none.

All of Linemaster's Wireless foot controls offer a unique "plug and go" system perfect for new applications or as a replacement for existing wired solutions. Our Wireless technology is battery-powered by AA batteries and provide over a thousand hours at 50 percent duty cycle, which could translate to years of operating life depending on the application. Linemaster offers a variety of receiver options such as Dongle or Standalone housing, OEM Board Options, Integrated or Remote Mount Radio, Command or Button Pairing Activation and Power/Low Battery/Output LEDs.

Whether you are seeking industrial or medical grade wireless foot controls, Linemaster provides the technological know-how you need.

**No one** offers more possibilities for wireless foot controls than Linemaster. Our single, twin, triple, and multi-function variations can be **custom designed** and manufactured to your exact specifications



Corporate Headquarters  
29 Plaine Hill Road, POB 238 Woodstock, CT 06281-0238 USA

# THE FIRST & THE BEST IN FOOT CONTROLS

For six decades the name Linemaster has been synonymous with the highest standards of performance in providing Foot Control solutions for manufacturers worldwide. Our international reputation for excellence has evolved through ongoing research and development, innovative design, customer service, and a commitment to style and quality that is unparalleled in the industry.

Linemaster's history is rooted from innovation and today is no exception. From the introduction of the world's first footswitch mid 1930's to the custom built series of wireless foot controls of today, Linemaster continues to exceed customer expectations over and over again in every aspect of reliability, functionality, and design.

Linemaster's first foot control was created in 1937, by Albert Simonds, who needed to operate his lens grinding machinery while keeping his hands free at all times. Consequently, he perfected the foot switch and thus the Linemaster story begins. Demand for his unique product grew and, by 1952, Linemaster was officially established as a privately owned and operated manufacturing facility in the state of Connecticut. Today, Linemaster's 45,000 square-foot facility in Woodstock, Connecticut, which houses a state-of-the-art Electronic White Room specifically designed for the assembly of medical-grade controls, produces more than a million foot switches each year.

In 2009, Linemaster's opened the doors to its second facility, in nearby Plainfield, Connecticut, which contains a warehouse, cable technician department, and other various business functions. Linemaster's second facility occupies 15,000 square feet and much needed space for a fast growing company.

## SPECIAL VARIATIONS AVAILABILITY

Special Variations are only available to the Original Equipment Manufacturer (O.E.M.) in production quantities. Specials are made to the O.E.M.'s specifications, and orders for specials are accepted on a direct basis only. Any modification to a standard catalog item, however slight, i.e. minus the nameplate, would be considered a special.

We offer custom cordset services, so that we can provide a complete foot control assembly to the O.E.M.'s specifications. Special paint finishes, nameplates, mounting provisions and packaging are some of the options available to the O.E.M.

If an O.E.M. REPLACEMENT FOOT CONTROL assembly is required for a particular piece of equipment, we would suggest that direct contact be made with the O.E.M. for replacements, as all specials are made on a proprietary basis.

## MULTIPLE LISTING - O.E.M.

All LINEMASTER® foot switches are UL Listed, CSA Certified or UL Recognized Components. Under UL and CSA Multiple Listing Programs, it is possible for the O.E.M. to include the UL or CSA insignias on their own nameplate. Please contact the factory for details.

## CE MARKING

Many of our foot switches are or, with modifications, can be CE Marked to meet the EC Low Voltage Directive. We are working with Underwriters Laboratories, TUV Product Service and TUV ESSEN to meet the needs of our customers requiring CE Marking to specific EN standards. Our foot switches are considered general use devices and see a wide variety of end uses. To this end we have an on-going long term project with UL to investigate our entire product line to various EN Standards.

It should be noted; a foot switch that is to be attached to a finished product by the Original Equipment Manufacturer need not be CE Marked. According to the U.S. Department of Commerce, we can ship our foot switches to the European Community provided the following declaration is made on the shipping documents: "These components are intended exclusively for an industrial assembly operation for incorporation in apparatus."

## FDA

Many of our foot switches are used on a wide variety of medical device products. The FDA considers the foot switch to be a component and not an accessory when used with the manufacturer's finished medical device.

## UL

Underwriters Laboratories UL (Underwriters Laboratories, Inc.): Standards agency and testing laboratory for the United States. UL also has some limited involvement in international certifications.

## RoHS

RoHS - Restriction of Hazardous Substances

## WEEE

WEEE - Waste Electrical and Electronic Equipment

## PRIVATE LABELING

With this option, the O.E.M. can order foot switches with a nameplate which is identical to our standard nameplate except the customer name and address would replace the LINEMASTER® name and address. All other information would remain the same.

## CUSTOM NAMEPLATE SERVICE - O.E.M.

Special nameplates and custom WARNING labels are available to the O.E.M. as part of a special foot switch assembly or as separate items.

## GOLD ALLOY CONTACTS - O.E.M.

In most applications that required a foot operated switch, our customers have found that one of our standard basic models have met their needs. In those special design applications that require a special foot control with gold alloy contacts, we can offer the O.E.M. a basic snap switch with SPDT gold alloy contacts rated 1 Amp 125 VAC in most of our foot switch housings. The use of this basic gold alloy snap switch, would delete all agency approvals where noted. Before a decision is made to specify gold alloy contacts, we would suggest that a standard foot switch model be evaluated in the particular application.

## MULTI PEDAL CONTROLS - O.E.M.

Many of our basic foot switch models can be mounted in combinations to provide multi function foot controls. Several of the more commonly required dual models are offered as standard twin units and are shown in the catalog and listed in the price sheet. Other multi pedal combinations are available to the O.E.M. on special order, in production quantities. Please refer to the back cover of the catalog for some representative examples. Up to eight DPDT functions can be incorporated in a single assembly.

## CUSTOM CORDSET SERVICE - O.E.M.

Custom cordsets are available to the O.E.M. as part of a complete foot switch assembly or as separate items. LINEMASTER® is a UL Recognized and CSA Certified source for Wiring Harnesses and Processed Wire.

## MATERIAL SAFETY DATA SHEETS - MSDS

LINEMASTER® products do not require Material Safety Data Sheets.

## ENVIRONMENTAL PERFORMANCE

In addition to the familiar NEMA, UL and CSA enclosure types, LINEMASTER® offers a variety of standard foot switches that meet IEC 529, Type IP68 and/or IEC 60601-2-2, Section 44, Subparagraph aa requirements for protection against access to and the entrance of foreign objects and water to the electrical switching elements and connections. This is accomplished by either sealing the enclosure or the switching element itself.

Virtually all of our foot switch families can be constructed to accommodate these requirements as a special variation for the O.E.M.

# FOOT CONTROLS

ORDER ONLINE TODAY

[www.linemaster.com](http://www.linemaster.com)

EN 60529 Degree of Protection IPXX Master Actuator  
EN 60529 Degree of Protection IP00 Snap Switch

## MOMENTARY/MAINTAINED AIR SWITCH ISOLATED ELECTRIC SNAP SWITCH

COMPACT VERSATILE DESIGN



### MATERIALS OF CONSTRUCTION:

- Strong Steel Housing
- Long Life Air bulb actuator mounted in Housing
- Remotely located air operated Electric Snap Switch
- Supplied with a 10 foot 1/8" ID PVC tubing connecting the foot pedal to the remote air switch
- The tubing is connected at the foot switch end using a molded on strain relief grommet providing superior pull out protection

### FEATURES & BENEFITS:

- Remote switch equipped with a 9/16" U.N.F. bulkhead mount
- Available in either momentary or maintained SPDT versions
- Provides versatility in applications
- Isolating the electrically live snap switch from the floor
- Offers environmental protection from short or shock
- 2 holes provided for rigid Mounting to floor or equipment

### OPTIONS:

- Momentary or Maintained models available
- Mounting Plate Available
- Black tubing available
- Twin model available on special order
- Heavy gauge steel guard available (See pages 91-94 for details)

For Dimension Drawings visit [www.linemaster.com](http://www.linemaster.com) and click on Data Sheets located under the Guides & Literature Tab

## AIR SEAL - AIR



SIZE (HxWxD): 1.28 x 2.74 x 2.88 In.  
WEIGHT: .91 lbs.

**WARNING** SEE PRODUCT WARNING PAGE ON 109

SPECIFICATIONS (Special variations are available to the O.E.M. on special order on the models listed below)

AGENCY APPROVALS	EN 60529 Degree of Protection	CATALOG NUMBER	DESCRIPTION	CIRCUIT	FORM	OPERATING TEMPERATURE RANGE	ELECTRICAL RATINGS	REPLACEMENT PARTS
	IPXX	41SH12 <sup>1</sup>	Momentary	SPDT	C	10°F to 120°F <sup>2</sup>	20 A 125-250 VAC 1 H.P. 125 VAC 2 H.P. 250 VAC	981-ZZ-1
	IPXX	41DH12 <sup>1</sup>	Maintained					981-ZZ

<sup>1</sup>Supplied with 10 ft. 1/8" I.D. reinforced Clear PVC tubing. <sup>2</sup> The operating temperature range will vary with different lengths of tubing. Please consult the factory for details.



NEMA Type 2, 4 & 13 • UL ENCLOSURE 2, 4 & 13  
 CSA ENCLOSURE 2, 4 & 13  
 EN 60529 Degree of Protection IP56

DRIP TIGHT • DUST TIGHT • WATERTIGHT • OIL TIGHT

ADVANCED DESIGN HELPS  
 PREVENT ACCIDENTAL ACTUATION



**MATERIALS OF CONSTRUCTION:**

- Treadle and housing constructed from cast iron for strength and durability
- Protected by a strong cast aluminum shield
- Special AirVal models available to the O.E.M. on special order
- Painted Alert Orange
- Single 3/4"-14 N.P.T. threaded conduit entry is standard

**FEATURES & BENEFITS:**

- Heavy duty foot switch features an anti-trip treadle mechanism that helps prevent accidental actuation through unintentional stepping on foot treadle
- Switch operation requires that the latch trip lever be released prior to depressing the foot treadle as in-line foot pressure is applied to the latch trip lever located at the rear of the foot treadle
- Smooth trip lever release and treadle depression motion results in good rate of operation
- Dual treadle return springs and latching mechanism
- Anti-skid rubber feet and 3 holes for rigid mounting to floor or equipment
- All Models have a neoprene Cover Gasket plus O-Rings on the Actuating shaft and separate ground screw

**OPTIONS:**

- Oversize "O" and "OX" Shield models accept oversized safety shoes and metatarsal foot guards. The "OX" Shield has an additional 3/4" (19.1 mm) opening height as compared to the "O" shield
- Special Dual 1/2"-14 N.P.T. threaded conduit entry and metric sizes available to the O.E.M. on special order
- Special Twin & Triple models available to the O.E.M. on special order
- Gated Models available for additional protection (See pages 25 & 26 for details)
- RF Wireless models are available (See page 75 for details)

For Dimension Drawings visit [www.linemaster.com](http://www.linemaster.com) and click on Data Sheets located under the Guides & Literature Tab

**ANTI-TRIP  
 HERCULES  
 OX SHIELD**



SIZE (HxWxD): 5.78 x 6.03 x 9.13 In.  
 WEIGHT: 8.25 lbs.

**WARNING SEE PRODUCT WARNING PAGE ON 109**

SPECIFICATIONS (Special variations are available to the O.E.M. on special order on the models listed below)

AGENCY APPROVALS	EN 60529 Degree of Protection	CATALOG NUMBER	DESCRIPTION	STAGE	CIRCUIT	FORM	ELECTRICAL RATINGS	REPLACEMENT PARTS
	IP56	511-BOX	Momentary	Single	SPDT	C	20 A 125-250 VAC	534-SS
	IP56	511-B2OX <sup>1</sup>	Momentary	Single	DPDT	C	1 H.P. 125-250 VAC	
	IP56	511-B2OXA	Momentary	Two	SPDT	C	Heavy Pilot Duty 250 VAC Max.	
	IP56	511-B3OX	Momentary	Single	SPDT DB <sup>2</sup>	Z	15 A 125-250 VAC	534-U6
	IP56	511-B4OX <sup>1</sup>	Momentary	Single	DPDT DB <sup>2</sup>	Z	1/2 H.P. 125 VAC	
	IP56	511-B4OXA	Momentary	Two	SPDT DB <sup>2</sup>	Z	1 H.P. 250 VAC Heavy Pilot Duty 250 VAC Max.	

<sup>1</sup>One pole of these models has an adjustable actuating mechanism that enables you to make or break one pole before the other. EXAMPLE: You can break the N.O. Circuit long before you would remake a N.C. Circuit in a 511-B2. <sup>2</sup>DB Double Break models must be wired to equal voltage sources and the same polarity. The loads should be on the same sides of the line.

NEMA Type 2, 4 & 13 • UL ENCLOSURE 2, 4 & 13  
 CSA ENCLOSURE 2, 4 & 13  
 EN 60529 Degree of Protection IP56

DRIP TIGHT • DUST TIGHT • WATERTIGHT • OIL TIGHT

ADVANCED DESIGN HELPS  
 PREVENT ACCIDENTAL ACTUATION



**MATERIALS OF CONSTRUCTION:**

- Treadle and housing constructed from cast iron for strength and durability
- Protected by a strong cast aluminum shield
- Special AirVal models available to the O.E.M. on special order
- Painted Alert Orange
- Single 3/4"-14 N.P.T. threaded conduit entry is standard

**FEATURES & BENEFITS:**

- Heavy duty foot switch features an anti-trip treadle mechanism that helps prevent accidental actuation through unintentional stepping on foot treadle
- Switch operation requires that the latch trip lever be released prior to depressing the foot treadle as in-line foot pressure is applied to the latch trip lever located at the rear of the foot treadle
- Smooth trip lever release and treadle depression motion results in good rate of operation
- Dual treadle return springs and latching mechanism
- Anti-skid rubber feet and 3 holes for rigid mounting to floor or equipment
- All Models have a neoprene Cover Gasket plus O-Rings on the Actuating shaft and separate ground screw

**OPTIONS:**

- Oversize "O" and "OX" Shield models accept oversized safety shoes and metatarsal foot guards. The "OX" Shield has an additional 3/4" (19.1 mm) opening height as compared to the "O" shield
- Special Dual 1/2"-14 N.P.T. threaded conduit entry and metric sizes available to the O.E.M. on special order
- Special Twin & Triple models available to the O.E.M. on special order
- RF Wireless models are available (See page 75 for details)

For Dimension Drawings visit [www.linemaster.com](http://www.linemaster.com) and click on Data Sheets located under the Guides & Literature Tab

SPECIFICATIONS (Special variations are available to the O.E.M. on special order on the models listed below)

AGENCY APPROVALS	EN 60529 Degree of Protection	CATALOG NUMBER	DESCRIPTION	STAGE	CIRCUIT	FORM	ELECTRICAL RATINGS	REPLACEMENT PARTS
	IP56	511-BG	Momentary	Single	SPDT	C	20 A 125-250 VAC	534-SS
	IP56	511-B2G <sup>1</sup>	Momentary	Single	DPDT	C	1 H.P. 125-250 VAC	
	IP56	511-B2GA	Momentary	Two	SPDT	C	Heavy Pilot Duty 250 VAC Max.	
	IP56	511-B3G	Momentary	Single	SPDT DB <sup>2</sup>	Z	15 A 125-250 VAC	534-U6
	IP56	511-B4G <sup>1</sup>	Momentary	Single	DPDT DB <sup>2</sup>	Z	1/2 H.P. 125 VAC	
	IP56	511-B4GA	Momentary	Two	SPDT DB <sup>2</sup>	Z	1 H.P. 250 VAC Heavy Pilot Duty 250 VAC Max.	

<sup>1</sup>One pole of these models has an adjustable actuating mechanism that enables you to make or break one pole before the other. EXAMPLE: You can break the N.O. Circuit long before you would remake a N.C. Circuit in a 511-B2. <sup>2</sup>DB Double Break models must be wired to equal voltage sources and the same polarity. The loads should be on the same sides of the line.

**ANTI-TRIP  
 HERCULES  
 GATED O SHIELD**



SIZE (HxWxD): 5.38 x 6.00 x 9.13 In.  
 WEIGHT: 8.50 lbs.

**WARNING SEE PRODUCT WARNING PAGE ON 109**

NEMA Type 2, 4 & 13 • UL ENCLOSURE 2, 4 & 13  
 CSA ENCLOSURE 2, 4 & 13 •  
 EN 60529 Degree of Protection IP56

DRIP TIGHT • DUST TIGHT • WATERTIGHT • OIL TIGHT

ADVANCED DESIGN HELPS  
 PREVENT ACCIDENTAL ACTUATION



**MATERIALS OF CONSTRUCTION:**

- Treadle and housing constructed from cast iron for strength and durability
- Protected by a strong cast aluminum shield
- Special AirVal models available to the O.E.M. on special order
- Painted Alert Orange
- Single 3/4"-14 N.P.T. threaded conduit entry is standard

**FEATURES & BENEFITS:**

- Heavy duty foot switch features an anti-trip treadle mechanism that helps prevent accidental actuation through unintentional stepping on foot treadle
- Switch operation requires that the latch trip lever be released prior to depressing the foot treadle as in-line foot pressure is applied to the latch trip lever located at the rear of the foot treadle
- Smooth trip lever release and treadle depression motion results in good rate of operation
- Dual treadle return springs and latching mechanism
- Anti-skid rubber feet and 3 holes for rigid mounting to floor or equipment
- All Models have a neoprene Cover Gasket plus O-Rings on the Actuating shaft and separate ground screw

**OPTIONS:**

- Oversize "O" and "OX" Shield models accept oversized safety shoes and metatarsal foot guards. The "OX" Shield has an additional 3/4" (19.1 mm) opening height as compared to the "O" shield
- Special Dual 1/2"-14 N.P.T. threaded conduit entry and metric sizes available to the O.E.M. on special order
- Special Twin & Triple models available to the O.E.M. on special order
- RF Wireless models are available (See page 75 for details)

For Dimension Drawings visit [www.linemaster.com](http://www.linemaster.com) and click on Data Sheets located under the Guides & Literature Tab

**ANTI-TRIP  
 HERCULES  
 GATED OX SHIELD**



SIZE (HxWxD): 6.06 x 6.03 x 9.13 In.  
 WEIGHT: 9.00 lbs.

**WARNING SEE PRODUCT WARNING PAGE ON 109**

NEMA Type 1 • UL ENCLOSURE 1  
 (971-DC3JM CSA ENCLOSURE Type 1)  
 EN 60529 Degree of Protection IP20

VERSATILE COMPACT DESIGN



**MATERIALS OF CONSTRUCTION:**

- SPDT, DPDT, Two-Stage, Momentary or Maintained Operation
- Rustproof and corrosion proof cast zinc cover and formed steel base
- Raised ribs on treadle for positive traction during operation
- Integrated adjustable strain relief clamp accommodates cord sizes from .250 Dia. to .400 Dia.

**FEATURES & BENEFITS:**

- Maximum versatility, total performance
- Non-skid base pad
- 2 holes provided for rigid mounting to Floor or equipment
- Twin model has Electrical Interlock feature

**OPTIONS:**

- Custom colors, and color matching available with quantity orders
- Private Labeling
- Accessory base units available for configurations using multiple switches
- Stainless steel full guard (single) 522-K26 available (See page 93 for details)
- Supplied with Series Plug (See page 94 for details) unless otherwise noted
- Special variations built to functional customers' specifications are available on special order. Custom paint finishes, cordsets, nameplates and multi-pedal versions are available. Please contact us for additional information
- Heavy gauge steel guard available (See pages 91 - 94 for details)
- For Medical multi switch options (See page 13 for details)

For Dimension Drawings visit [www.linemaster.com](http://www.linemaster.com) and click on Data Sheets located under the Guides & Literature Tab

**AQUILINE® - METAL**



SINGLE  
 SIZE (HxWxD): 1.09 x 3.44 x 4.00 In.  
 WEIGHT: 1.00 lbs.



TWIN  
 SIZE (HxWxD): 1.25 x 7.547 x 5.562 In.  
 WEIGHT: 4.45 lbs.

**WARNING SEE PRODUCT WARNING PAGE ON 109**

SPECIFICATIONS (Special variations are available to the O.E.M. on special order on the models listed below)

AGENCY APPROVALS	EN 60529 Degree of Protection	CATALOG NUMBER	DESCRIPTION	STAGE	CIRCUIT	FORM	ELECTRICAL RATINGS	REPLACEMENT PARTS
	IP56	511-BOXG	Momentary	Single	SPDT	C	20 A 125-250 VAC	534-SS
	IP56	511-B2OXG <sup>1</sup>	Momentary	Single	DPDT	C	1 H.P. 125-250 VAC	
	IP56	511-B2OXGA	Momentary	Two	SPDT	C	Heavy Pilot Duty 250 VAC Max.	
	IP56	511-B3OXG	Momentary	Single	SPDT DB <sup>2</sup>	Z	15 A 125-250 VAC	534-U6
	IP56	511-B4OXG <sup>1</sup>	Momentary	Single	DPDT DB <sup>2</sup>	Z	1/2 H.P. 125 VAC	
	IP56	511-B4OXGA	Momentary	Two	SPDT DB <sup>2</sup>	Z	1 H.P. 250 VAC	
	IP56	511-B4OXGA	Momentary	Two	SPDT DB <sup>2</sup>	Z	Heavy Pilot Duty 250 VAC Max.	

<sup>1</sup>One pole of these models has an adjustable actuating mechanism that enables you to make or break one pole before the other. EXAMPLE: You can break the N.O. Circuit long before you would remake a N.C. Circuit in a 511-B2. <sup>2</sup>DB Double Break models must be wired to equal voltage sources and the same polarity. The loads should be on the same sides of the line.

SPECIFICATIONS (Special variations are available to the O.E.M. on special order on the models listed below)

AGENCY APPROVALS	EN 60529 Degree of Protection	CATALOG NUMBER	DESCRIPTION	COLOR	CIRCUIT	FORM	ELECTRICAL RATINGS	REPLACEMENT PARTS
	IP20	971-DJM	Die Cast Zinc / Maintained	Black	SPST-NO	A		965-D4
	IP20	971-DC3JM <sup>1</sup>	Die Cast Zinc / Maintained	Black	SPST-NO	A	12 A	
	IP20	971-DC36JM <sup>2</sup>	Die Cast Zinc / Maintained	Black	SPST-NO	A	1 H.P. 250 VAC	
	IP20	971-DC38JM <sup>3</sup>	Die Cast Zinc / Maintained	Black	SPST-NO	A	1/2 H.P. 125 VAC	
	IP20	971-SM	Die Cast Zinc / Momentary	Black	SPDT	C		514-N3
	IP20	972-S	Die Cast Zinc / Momentary 2-Stage	Black	SPDT Each Stage	C	15 A 125-250 VAC	997-G13 & 524-P6
	IP20	974-SM	Die Cast Zinc / Momentary 2-Stage	Black	DPDT Each Stage	C	1/2 H.P. 125-250 VAC	
	IP20	TWIN 971-SMC48 <sup>4</sup>	Die Cast Zinc / Momentary	Black	SPDT Wired N.O.	A	13 A 125-250 VAC	514-N3

<sup>1</sup>Supplied with 8 ft. 16/3 cord with 3 prong series plug (Restricts use of foot switch assembly to 125 VAC Only). Plastic model is not grounded. <sup>2</sup>Supplied with 6 ft. 16/3 cord, grounded. <sup>3</sup>Supplied with 8 ft. 16/3 cord, grounded. <sup>4</sup>Supplied with 8' 16/4 cord without plug. Green lead grounded.

NEMA Type 1 • UL ENCLOSURE 1  
 971-SWNO210 & 971-SWNO210A NEMA Type 1, 4X, 6, & 6P  
 UL ENCLOSURE 1, 4X, 6 & 6P • IP68  
 EN 60529 Degree of Protection IP20 • IP68 Upon Request

**WATERTIGHT (AVAILABLE) • CORROSION RESISTANT**

VERSATILE COMPACT DESIGN



**MATERIALS OF CONSTRUCTION:**

- SPDT, DPDT, Two-Stage, Momentary Operation
- Rustproof and corrosion proof polymeric material
- Raised ribs on treadle for positive traction during operation
- Integrated adjustable strain relief clamp accommodates cord sizes from .250 Dia. to .400 Dia.

**FEATURES & BENEFITS:**

- Flame retardant to 94-VI
- Maximum versatility, total performance
- Non-skid base pad
- 2 holes provided for rigid mounting to Floor or equipment

**OPTIONS:**

- Custom colors, and color matching available with quantity orders
- Private Labeling
- Accessory base units available for configurations using multiple switches
- Stainless steel full guard (single) 522-K26 available (See page 93 for details)
- Supplied with Series Plug (See page 94 for details) unless otherwise noted
- Special variations built to functional customers' specifications are available on special order. Custom paint finishes, cordsets, nameplates and multi-pedal versions are available. Please contact LINEMASTER® for additional information
- Heavy gauge steel guard available (See pages 91-94 for details)

For Dimension Drawings visit [www.linemaster.com](http://www.linemaster.com) and click on Data Sheets located under the Guides & Literature Tab

**AQUILINE®  
 MOMENTARY  
 POLYMERIC**



SIZE (HxWxD): 1.09 x 3.44 x 4.00 In.  
 WEIGHT: 3.60 oz.

**WARNING SEE PRODUCT WARNING PAGE ON 109**

SPECIFICATIONS (Special variations are available to the O.E.M. on special order on the models listed below)								
AGENCY APPROVALS	EN 60529 Degree of Protection	CATALOG NUMBER	DESCRIPTION	COLOR	CIRCUIT	FORM	ELECTRICAL RATINGS	REPLACEMENT PARTS
cULus CE	IP20	971-S	Polymeric / Momentary	Dark Gray	SPDT	C	15 A 125-250 VAC 1/2 H.P. 125-250 VAC	514-N3
	IP20	971-SA	Polymeric / Momentary	Light Gray	SPDT	C		
	IP20	971-SB	Polymeric / Momentary	Blue	SPDT	C		
	IP20	971-SO	Polymeric / Momentary	Orange	SPDT	C		
	IP20	971-SY	Polymeric / Momentary	Yellow	SPDT	C		
cULus CE	IP20	974-S	Polymeric / Momentary	Dark Gray	DPDT	C	15 A 125-250 VAC 1/2 H.P. 125-250 VAC	997-G13 & 524-P6
	IP20	974-SA	Polymeric / Momentary	Light Gray	DPDT	C		
cULus CE	IP68	971-SWNO210 <sup>1</sup>	Polymeric / Momentary	Dark Gray	SPST Wired N.O.	A	3 A 25 VAC	Not Field Repairable
	IP68	971-SWNO210A <sup>1</sup>	Polymeric / Momentary	Light Gray	SPST Wired N.O.	A		
cULus CE	IP20	971-SC26 <sup>2</sup>	Polymeric / Momentary	Dark Gray	SPDT Wired N.O.	A	10 A 125-250 VAC 1/2 H.P. 125-250 VAC	514-N3
	IP20	971-SC26A <sup>2</sup>	Polymeric / Momentary	Light Gray	SPDT Wired N.O.	A		

<sup>1</sup>Meets IP68 & is supplied with 10 ft. 18/2 cord without plug. <sup>2</sup>Supplied with 6 ft. 18/2 cord without plug.

NEMA Type 1 • UL ENCLOSURE 1 (971-DC3J CSA Type 1  
 EN 60529 Degree of Protection IP20

**WATERTIGHT (AVAILABLE) • CORROSION RESISTANT**

VERSATILE COMPACT DESIGN



**MATERIALS OF CONSTRUCTION:**

- SPST, Maintained Operation
- Rustproof and corrosion proof reinforced polymeric material
- Raised ribs on treadle for positive traction during operation
- Integrated adjustable strain relief clamp accommodates cord sizes from .250 Dia. to .400 Dia.

**FEATURES & BENEFITS:**

- Flame retardant to 94-VI
- Maximum versatility, total performance
- Non-skid base pad
- 2 holes provided for rigid mounting to Floor or equipment

**OPTIONS:**

- Custom colors, and color matching available with quantity orders
- Private Labeling
- Accessory base units available for configurations using multiple switches
- Stainless steel full guard (single) 522-K26 available (See page 93 for details)
- Supplied with Series Plug (See page 98 for details) unless otherwise noted
- Special variations built to functional customers' specifications are available on special order. Custom paint finishes, cordsets, nameplates and multi-pedal versions are available. Please contact LINEMASTER® for additional information
- Heavy gauge steel guard available (See pages 91-94 for details)

For Dimension Drawings visit [www.linemaster.com](http://www.linemaster.com) and click on Data Sheets located under the Guides & Literature Tab

**AQUILINE®  
 MAINTAINED  
 POLYMERIC**



SIZE (HxWxD): 1.09 x 3.44 x 4.00 In.  
 WEIGHT: 3.60 oz.

**WARNING SEE PRODUCT WARNING PAGE ON 109**

SPECIFICATIONS (Special variations are available to the O.E.M. on special order on the models listed below)								
AGENCY APPROVALS	EN 60529 Degree of Protection	CATALOG NUMBER	DESCRIPTION	COLOR	CIRCUIT	FORM	ELECTRICAL RATINGS	REPLACEMENT PARTS
cULus CE	IP20	971-DC26J <sup>1</sup>	Polymeric / Maintained	Dark Gray	SPST-NO	A	12A 1 H.P. 250 VAC 1/2 H.P. 125 VAC	965-D4
	IP20	971-DC28J <sup>2</sup>	Polymeric / Maintained	Dark Gray	SPST-NO	A		
	IP20	971-DC3J <sup>3</sup>	Polymeric / Maintained	Dark Gray	SPST-NO	A		
	IP20	971-DJ	Polymeric / Maintained	Dark Gray	SPST-NO	A		

<sup>1</sup>Supplied with 6 ft. cord without plug <sup>2</sup>Supplied with 8 ft. cord without plug. <sup>3</sup>Supplied with 8 ft. cord with series plug.

NEMA Type 1, 2, 4, 6, 6P & 13  
 UL ENCLOSURE 1, 2, 4, 6, 6P & 13  
 EN 60529 Degree of Protection IP68  
 Meets IEC 60601-2-2

# ATLAS NO SHIELD

DRIP TIGHT • DUST TIGHT • WATERTIGHT • OIL TIGHT

DEVELOPED FOR WORLDWIDE APPLICATIONS



### MATERIALS OF CONSTRUCTION:

- Treadle and housing constructed from cast aluminum for environmental durability
- Painted Alert Orange
- Single PG 16 threaded conduit entry is standard

### FEATURES & BENEFITS:

- Protected by a strong cast iron cover
- Developed for worldwide application
- Snap action - SPDT and DPDT with forced disconnect (positive break) on NC contacts
- Direct PLC interface compatible (two-circuit bifurcated contact single-pole versions)
- Galvanically isolated bifurcated contacts - NO and NC circuits can be wired to different loads and polarities
- 3 holes provided for rigid mounting to the floor or equipment

### OPTIONS:

- Oversize "O" and "OX" Shield models accept oversized safety shoes and metatarsal foot guards. The "OX" Shield has an additional 3/4" (19.1 mm) opening height as compared to the "O" shield
- 3/4-14 N.P.T. also available as standard for select models
- U.S. and other international conduit sizes and side entry available to the OEM on special order
- Side entry PG 16 threaded conduit entry available
- Twin and triple models available - Special Order LINEMASTER® for additional information
- Heavy gauge steel guard available (See pages 91-94 for details)

For Dimension Drawings visit [www.linemaster.com](http://www.linemaster.com) and click on Data Sheets located under the Guides & Literature Tab



SIZE (HxWxD): 3.50 x 4.29 x 8.55 In.  
 WEIGHT: 4.50 lbs.

**WARNING** SEE PRODUCT WARNING PAGE ON 109

NEMA Type 1, 2, 4, 6, 6P & 13  
 UL ENCLOSURE 1, 2, 4, 6, 6P & 13  
 EN 60529 Degree of Protection IP68  
 Meets IEC 60601-2-2

# ATLAS FULL SHIELD

DRIP TIGHT • DUST TIGHT • WATERTIGHT • OIL TIGHT

DEVELOPED FOR WORLDWIDE APPLICATIONS



### MATERIALS OF CONSTRUCTION:

- Treadle and housing constructed from cast aluminum for environmental durability
- Painted Alert Orange
- Single PG 16 threaded conduit entry is standard

### FEATURES & BENEFITS:

- Protected by a strong cast iron cover
- Developed for worldwide application
- Snap action - SPDT and DPDT with forced disconnect (positive break) on NC contacts
- Direct PLC interface compatible (two-circuit bifurcated contact single-pole versions)
- Galvanically isolated bifurcated contacts - NO and NC circuits can be wired to different loads and polarities
- 3 holes provided for rigid mounting to the floor or equipment

### OPTIONS:

- Oversize "O" and "OX" Shield models accept oversized safety shoes and metatarsal foot guards. The "OX" Shield has an additional 3/4" (19.1 mm) opening height as compared to the "O" shield
- 3/4-14 N.P.T. also available as standard for select models
- U.S. and other international conduit sizes and side entry available to the OEM on special order
- Side entry PG 16 threaded conduit entry available
- Twin and triple models available - Special Order

For Dimension Drawings visit [www.linemaster.com](http://www.linemaster.com) and click on Data Sheets located under the Guides & Literature Tab



SIZE (HxWxD): 4.70 x 5.88 x 9.06 In.  
 WEIGHT: 5.00 lbs.

**WARNING** SEE PRODUCT WARNING PAGE ON 109

SPECIFICATIONS (Special variations are available to the O.E.M. on special order on the models listed below)

AGENCY APPROVALS	EN 60529 Degree of Protection	CATALOG NUMBER	DESCRIPTION	CIRCUIT	FORM	ELECTRICAL RATINGS	REPLACEMENT PARTS
	IP68	936-SWN	Momentary	SPDT-SNAP ACTION (POSITIVE BREAK)		A300, AC15: 6A, 120 VAC	994-HH
	IP68	936-SWNC4	Momentary	SPDT-DB- SNAP ACTION (POSITIVE BREAK)		3A, 240 VAC	
	IP68	937-SWN	Momentary	DPDT-SNAP ACTION (POSITIVE BREAK)		Q300, DC13: 2.5A, 24 VDC	994-M
	IP68	937-SWNC4	Momentary	SPDT-DB- SNAP ACTION (POSITIVE BREAK)		0.55A, 120 VDC 0.27A, 250 VAC	

SPECIFICATIONS (Special variations are available to the O.E.M. on special order on the models listed below)

AGENCY APPROVALS	EN 60529 Degree of Protection	CATALOG NUMBER	DESCRIPTION	CIRCUIT	FORM	ELECTRICAL RATINGS	REPLACEMENT PARTS
	IP68	936-SWH	Momentary	SPDT-SNAP ACTION (POSITIVE BREAK)		A300, AC15: 6A, 120 VAC	994-HH
	IP68	936-SWHC4 <sup>1</sup>	Momentary	SPDT-SNAP ACTION (POSITIVE BREAK)		3A, 240 VAC	
	IP68	937-SWH	Momentary	DPDT-SNAP ACTION (POSITIVE BREAK)		Q300, DC13: 2.5A, 24 VDC	994-M
	IP68	937-SWHC4 <sup>1</sup>	Momentary	DPDT-SNAP ACTION (POSITIVE BREAK)		0.55A, 120 VDC 0.27A, 250 VAC	

<sup>1</sup>"C4" designates a single 3/4"-14 NPT conduit entry

NEMA Type 1, 2, 4, 6, 6P & 13  
 UL ENCLOSURE 1, 2, 4, 6, 6P & 13  
 EN 60529 Degree of Protection IP68  
 Meets IEC 60601-2-2

# ATLAS O SHIELD

DRIP TIGHT • DUST TIGHT • WATERTIGHT • OIL TIGHT

DEVELOPED FOR WORLDWIDE APPLICATIONS



### MATERIALS OF CONSTRUCTION:

- Treadle and housing constructed from cast aluminum for environmental durability
- Painted Alert Orange
- Single PG 16 threaded conduit entry is standard

### FEATURES & BENEFITS:

- Protected by a strong cast iron cover
- Developed for worldwide application
- Snap action - SPDT and DPDT with forced disconnect (positive break) on NC contacts
- Direct PLC interface compatible (two-circuit bifurcated contact single-pole versions)
- Galvanically isolated bifurcated contacts - NO and NC circuits can be wired to different loads and polarities
- 3 holes provided for rigid mounting to the floor or equipment

### OPTIONS:

- Oversize "O" and "OX" Shield models accept oversized safety shoes and metatarsal foot guards. The "OX" Shield has an additional 3/4" (19.1 mm) opening height as compared to the "O" shield
- 3/4-14 N.P.T. also available as standard for select models
- U.S. and other international conduit sizes and side entry available to the OEM on special order
- Side entry PG 16 threaded conduit entry available
- Twin and triple models available - Special Order

For Dimension Drawings visit [www.linemaster.com](http://www.linemaster.com) and click on Data Sheets located under the Guides & Literature Tab



SIZE (HxWxD): 5.37 x 5.88 x 9.13 In.  
 WEIGHT: 5.25 lbs.

**WARNING** SEE PRODUCT WARNING PAGE ON 109

NEMA Type 1, 2, 4, 6, 6P & 13  
 UL ENCLOSURE 1, 2, 4, 6, 6P & 13  
 EN 60529 Degree of Protection IP68  
 Meets IEC 60601-2-2

# ATLAS OX SHIELD

DRIP TIGHT • DUST TIGHT • WATERTIGHT • OIL TIGHT

DEVELOPED FOR WORLDWIDE APPLICATIONS



### MATERIALS OF CONSTRUCTION:

- Treadle and housing constructed from cast aluminum for environmental durability
- Painted Alert Orange
- Single PG 16 threaded conduit entry is standard

### FEATURES & BENEFITS:

- Protected by a strong cast iron cover
- Developed for worldwide application
- Snap action - SPDT and DPDT with forced disconnect (positive break) on NC contacts
- Direct PLC interface compatible (two-circuit bifurcated contact single-pole versions)
- Galvanically isolated bifurcated contacts - NO and NC circuits can be wired to different loads and polarities
- 3 holes provided for rigid mounting to the floor or equipment

### OPTIONS:

- Oversize "O" and "OX" Shield models accept oversized safety shoes and metatarsal foot guards. The "OX" Shield has an additional 3/4" (19.1 mm) opening height as compared to the "O" shield
- 3/4-14 N.P.T. also available as standard for select models
- U.S. and other international conduit sizes and side entry available to the OEM on special order
- Side entry PG 16 threaded conduit entry available
- Twin and triple models available - Special Order

For Dimension Drawings visit [www.linemaster.com](http://www.linemaster.com) and click on Data Sheets located under the Guides & Literature Tab



SIZE (HxWxD): 6.12 x 6.03 x 9.13 In.  
 WEIGHT: 5.50 lbs.

**WARNING** SEE PRODUCT WARNING PAGE ON 109

SPECIFICATIONS (Special variations are available to the O.E.M. on special order on the models listed below)

AGENCY APPROVALS	EN 60529 Degree of Protection	CATALOG NUMBER	DESCRIPTION	CIRCUIT	FORM	ELECTRICAL RATINGS	REPLACEMENT PARTS
	IP68	936-SWHO	Momentary	SPDT-SNAP ACTION (POSITIVE BREAK)		A300, AC15: 6A, 120 VAC 3A, 240 VAC	994-HH
	IP68	937-SWHO	Momentary	DPDT-SNAP ACTION (POSITIVE BREAK)		Q300, DC13: 2.5A, 24 VDC 0.55A, 120 VDC 0.27A, 250 VAC	994-M
	IP68	937-SWHO <sup>C4</sup>	Momentary	DPDT-SNAP ACTION (POSITIVE BREAK)			

<sup>1</sup>"C4" designates a single 3/4"-14 NPT conduit entry

SPECIFICATIONS (Special variations are available to the O.E.M. on special order on the models listed below)

AGENCY APPROVALS	EN 60529 Degree of Protection	CATALOG NUMBER	DESCRIPTION	CIRCUIT	FORM	ELECTRICAL RATINGS	REPLACEMENT PARTS
	IP68	936-SWHOX	Momentary	SPDT-SNAP ACTION (POSITIVE BREAK)		A300, AC15: 6A, 120 VAC 3A, 240 VAC	994-HH
	IP68	936-SWHOXC <sup>4</sup>	Momentary	SPDT-SNAP ACTION (POSITIVE BREAK)		Q300, DC13: 2.5A, 24 VDC 0.55A, 120 VDC 0.27A, 250 VAC	994-M
	IP68	937-SWHOX	Momentary	DPDT-SNAP ACTION (POSITIVE BREAK)			
	IP68	937-SWHOXC <sup>4</sup>	Momentary	DPDT-SNAP ACTION (POSITIVE BREAK)			

<sup>1</sup>"C4" designates a single 3/4"-14 NPT conduit entry

NEMA Type 1, 2, 4, & 13 • UL ENCLOSURE 1, 2, 4, & 13  
 CSA ENCLOSURE 1, 2, 4, & 13  
 EN 60529 Degree of Protection IP56

DRIP TIGHT • DUST TIGHT • WATERTIGHT • OIL TIGHT

MEDIUM DUTY COMPACT DESIGN



**MATERIALS OF CONSTRUCTION:**

- Cast aluminum body and treadle with steel base plate and nonskid base pad
- Single 3/4"=14 N.P.T. threaded conduit entry is standard

**FEATURES & BENEFITS:**

- All models single stage momentary contact
- 2 holes provided for rigid mounting to floor or equipment

**OPTIONS:**

- Special threaded conduit entry available to the O.E.M. on special order (Dual / Metric)
- Single / Dual 1/2"-14 NPT threaded conduit entry
- Metric threaded conduit entry

For Dimension Drawings visit [www.linemaster.com](http://www.linemaster.com) and click on Data Sheets located under the Guides & Literature Tab

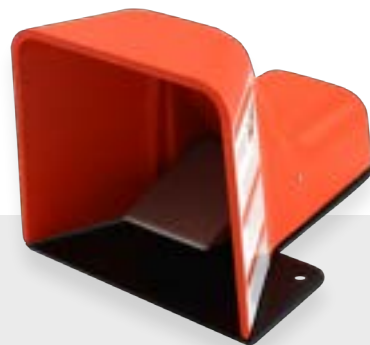
## CLASSIC II



NO SHIELD

SIZE (HxWxD): 2.25 x 3.50 x 6.20 In.

WEIGHT: 1.50 lbs.



SHIELDED

SIZE (HxWxD): 5.19 x 5.90 x 7.27 In.

WEIGHT: 2.75 lbs.

**WARNING** SEE PRODUCT WARNING PAGE ON 109

NEMA Type 1, 2, 4, 6, 6P & 13  
 UL ENCLOSURE 1, 2, 4, 6, 6P & 13  
 CSA ENCLOSURE 1, 2, 4, 6, 6P & 13  
 EN 60529 Degree of Protection IP68  
 Meets IEC 60601-2-2

DRIP TIGHT • DUST TIGHT • WATERTIGHT • OIL TIGHT



**MATERIALS OF CONSTRUCTION:**

- Cast aluminum body and treadle, painted black
- Guarded models have a heavy gage steel full guard painted Alert Orange with non-skid base
- Single 3/4"-14 N.P.T. threaded conduit entry is standard

**FEATURES & BENEFITS:**

- All models single stage momentary
- Divider bar between pedals of Twin models helps prevent accidental operation of both pedals at one time

**OPTIONS:**

- Special Dual 1/2"-14 N.P.T. threaded conduit entry and metric sizes available to the O.E.M. on special order

For Dimension Drawings visit [www.linemaster.com](http://www.linemaster.com) and click on Data Sheets located under the Guides & Literature Tab

## CLASSIC III GUARDED



SINGLE

SIZE (HxWxD): 4.50 x 7.00 x 6.00 In.

WEIGHT: 6.00 lbs.



TWIN

SIZE (HxWxD): 4.50 x 11.00 x 7.00 In.

WEIGHT: 10.00 lbs.

**WARNING** SEE PRODUCT WARNING PAGE ON 109

SPECIFICATIONS (Special variations are available to the O.E.M. on special order on the models listed below)

AGENCY APPROVALS	EN 60529 Degree of Protection	CATALOG NUMBER	DESCRIPTION	TYPE	CIRCUIT	FORM	ELECTRICAL RATING	REPLACEMENT PARTS
	IP56	78SN1	Momentary	Unguarded	SPDT	C	20 A 125-250 VAC 1 H.P. 125-250 VAC Heavy Pilot Duty 250 VAC MAX.	534-SS
	IP56	78SN2	Momentary	Unguarded	DPDT	C		
	IP56	78SH1	Momentary / Shielded	Unguarded	SPDT	C		
	IP56	78SH2	Momentary / Shielded	Unguarded	DPDT	C		

SPECIFICATIONS (Special variations are available to the O.E.M. on special order on the models listed below)

AGENCY APPROVALS	EN 60529 Degree of Protection	CATALOG NUMBER	DESCRIPTION	TYPE	CIRCUIT	FORM	ELECTRICAL RATING	REPLACEMENT PARTS
	IP68	88SH1	Momentary	Guarded	SPDT	C	20 A 125-250 VAC 1 H.P. 125-250 VAC Heavy Pilot Duty 250 VAC MAX	536-Q
	IP68	88SH2	Momentary	Guarded	DPDT	C		536-Q & 534-SS
	IP68	TWIN 88SH1	Momentary	Guarded	Each Pedal SPDT	C		536-Q
	IP68	TWIN 88SH2	Momentary	Guarded	Each Pedal DPDT	C		536-Q & 534-SS

NEMA Type 1, 2, 4, 6, 6P & 13  
 UL ENCLOSURE 1, 2, 4, 6, 6P & 13  
 CSA ENCLOSURE 1, 2, 4, 6, 6P & 13  
 EN 60529 Degree of Protection IP68  
 Meets IEC 60601-2-2

DRIP TIGHT • DUST TIGHT • WATERTIGHT • OIL TIGHT



**MATERIALS OF CONSTRUCTION:**

- Cast aluminum body and treadle, painted black
- Guarded models have a heavy gage steel full guard painted Alert Orange with non-skid base
- Single 3/4"-14 N.P.T. threaded conduit entry is standard

**FEATURES & BENEFITS:**

- All models single stage momentary
- Divider bar between pedals of Twin models helps prevent accidental operation of both pedals at one time

**OPTIONS:**

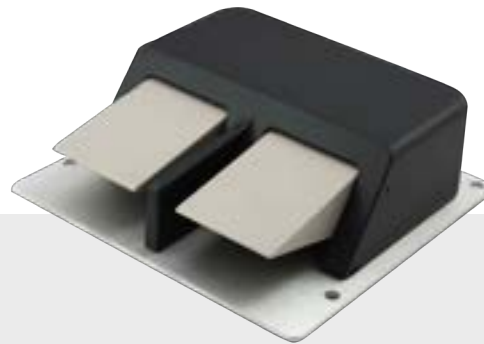
- Special Dual 1/2"-14 N.P.T. threaded conduit entry and metric sizes available to the O.E.M. on special order

For Dimension Drawings visit [www.linemaster.com](http://www.linemaster.com) and click on Data Sheets located under the Guides & Literature Tab

# CLASSIC III



SINGLE  
 SIZE (HxWxD): 4.50 x 7.00 x 6.00 In.  
 WEIGHT: 6.00 lbs.



TWIN  
 SIZE (HxWxD): 4.50 x 11.00 x 7.00 In.  
 WEIGHT: 10.00 lbs.

**WARNING** SEE PRODUCT WARNING PAGE ON 109

SPECIFICATIONS (Special variations are available to the O.E.M. on special order on the models listed below)

AGENCY APPROVALS	EN 60529 Degree of Protection	CATALOG NUMBER	DESCRIPTION	TYPE	CIRCUIT	FORM	ELECTRICAL RATING	REPLACEMENT PARTS
	IP68	88SN1	Momentary	Guarded	SPDT	C	20 A 125-250 VAC 1 H.P. 125-250 VAC Heavy Pilot Duty 250 VAC MAX	536-Q
	IP68	88SN2	Momentary	Guarded	DPDT	C		536-Q & 534-SS
	IP68	TWIN 88SN1	Momentary	Guarded	Each Pedal SPDT	C		536-Q
	IP68	TWIN 88SN2	Momentary	Guarded	Each Pedal DPDT	C		536-Q & 534-SS

EN 60529 Degree of Protection IP68  
 Meets IEC 60601-2-2

DRIP TIGHT • DUST TIGHT • WATERTIGHT • OIL TIGHT

COMPACT & WATERPROOF DESIGN



**MATERIALS OF CONSTRUCTION:**

- One Piece Cast Aluminum Housing Single Stage Momentary Contact
- Aluminum baseplate on unguarded models
- Single Pedal 1/2"-14 N.P.T. Threaded Conduit Opening is Standard
- Twin Pedal 3/4"-14 N.P.T. Threaded Conduit Opening is Standard

**FEATURES & BENEFITS:**

- Non-Skid Feet To Minimize Movement
- Divider Bar on Twin Models aids in Reducing Accidental Operation of Multiple Pedals at Once
- 4 holes provided for rigid mounting to floor or equipment

**OPTIONS:**

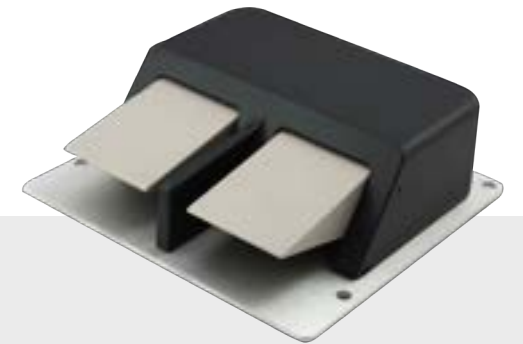
- Heavy Gauge Steel Full Guard painted Alert Orange  
 Covering Entire Foot Switch Available (See page 91 for details)

For Dimension Drawings visit [www.linemaster.com](http://www.linemaster.com) and click on Data Sheets located under the Guides & Literature Tab

# CLASSIC IV



SINGLE  
 SIZE (HxWxD): 2.50 x 4.19 x 7.00 In.  
 WEIGHT: 1.75 lbs.



TWIN  
 SIZE (HxWxD): 2.50 x 7.40 x 7.00 In.  
 WEIGHT: 3.63 lbs.

**WARNING** SEE PRODUCT WARNING PAGE ON 109

SPECIFICATIONS (Special variations are available to the O.E.M. on special order on the models listed below)

AGENCY APPROVALS	EN 60529 Degree of Protection	CATALOG NUMBER	DESCRIPTION	TYPE	CIRCUIT	FORM	ELECTRICAL RATING	REPLACEMENT PARTS
	IP68	88SN1-05	Momentary	Unguarded	SPDT	C	16 A 125-250 VAC 1/2 H.P. 125-250 VAC 250 VAC Max.	514-N3
	IP68	88SN1B-05'	Momentary	Unguarded	SPDT	C		
	IP68	88SN2-05	Momentary	Unguarded	DPDT	C		
	IP68	TWIN 88SN1-05	Momentary	Unguarded	Each Pedal SPDT	C		
	IP68	TWIN 88SN2-05	Momentary	Unguarded	Each Pedal DPDT	C		

'8 ft. 14/3 cord without plug, green lead grounded.

NEMA Type 1, 2, 4, 6, 6P & 13  
 UL ENCLOSURE 1, 2, 4, 6, 6P & 13  
 CSA ENCLOSURE 1, 2, 4, 6, 6P & 13  
 EN 60529 Degree of Protection IP68  
 Meets IEC 60601-2-2

**DRIP TIGHT • DUST TIGHT • WATERTIGHT • OIL TIGHT**

GUARDED COMPACT & WATERPROOF DESIGN



**MATERIALS OF CONSTRUCTION:**

- One Piece Cast Aluminum Housing Single Stage Momentary Contact
- Aluminum baseplate on unguarded models
- Single Pedal 1/2"-14 N.P.T. Threaded Conduit Opening is Standard
- Twin Pedal 3/4"-14 N.P.T. Threaded Conduit Opening is Standard

**FEATURES & BENEFITS:**

- Non-Skid Feet To Minimize Movement
- Divider Bar on Twin Models aids in Reducing Accidental Operation of Multiple Pedals at Once
- 4 holes provided for rigid mounting to floor or equipment
- Heavy Gauge Steel Full Guard painted Alert Orange Covering Entire Foot Switch

For Dimension Drawings visit [www.linemaster.com](http://www.linemaster.com) and click on Data Sheets located under the Guides & Literature Tab

**CLASSIC IV  
 GUARDED**



SINGLE  
 SIZE (HxWxD): 4.50 x 6.00 x 7.00 In.  
 WEIGHT: 6.00 lbs.



TWIN  
 SIZE (HxWxD): 4.50 x 11.00 x 7.00 In.  
 WEIGHT: 10.00 lbs.

**WARNING SEE PRODUCT WARNING PAGE ON 109**

SPECIFICATIONS (Special variations are available to the O.E.M. on special order on the models listed below)

AGENCY APPROVALS	EN 60529 Degree of Protection	CATALOG NUMBER	DESCRIPTION	TYPE	CIRCUIT	FORM	ELECTRICAL RATING	REPLACEMENT PARTS
UL, SP, CE	IP68	88SH1-05	Momentary	Guarded	SPDT	C	16 A 125-250 VAC 1/2 H.P. 125-250 VAC	514-N3
UL, SP, CE	IP68	88SH2-05	Momentary	Guarded	DPDT	C		
UL, SP, CE	IP68	TWIN 88SH1-05	Momentary	Guarded	Each Pedal SPDT	C		
UL, SP, CE	IP68	TWIN 88SH2-05	Momentary	Guarded	Each Pedal DPDT	C		

NEMA Type 1 • UL ENCLOSURE 1  
 (632-S, 632-SC3, 632-SC36, 632-DC3A,  
 & 632-DA CSA ENCLOSURE Type 1)  
 EN 60529 Degree of Protection IP20 • IP68 Upon Request

**SPLASH RESISTANT • CORROSION RESISTANT (AVAILABLE)**

MEDIUM DUTY GENERAL PURPOSE DESIGN



**MATERIALS OF CONSTRUCTION:**

- Constructed of Cast Iron for long life
- Non-skid base pad
- Adjustable Strain relief connector
- Durable black finish
- Model 632-DA can be used to control lighting
- Model 638-S features a cast aluminum housing painted Alert Orange with a splash resistant interior switch

**FEATURES & BENEFITS:**

- Proven Reliability
- All maintained models offer "Push On-Push Off" action that insures long trouble-free performance
- 2 holes provided for rigid mounting to floor or equipment

**OPTIONS:**

- The wide treadle models offer a large seven inch target for the operator's foot (See page 46 for details)
- Available protective vinyl cover that can be applied over our Clipper. This boot is available only in bright orange, and provides additional protection to the foot switch from limited amounts of liquid, dust, dirt, mud and snow (See page 94 for details)
- AirVal models available (See page 69 for details)
- Heavy gauge steel guard available (See pages 91-94 for details)

SPECIFICATIONS (Special variations are available to the O.E.M. on special order on the models listed below)

AGENCY APPROVALS	EN 60529 Degree of Protection	CATALOG NUMBER	DESCRIPTION	CIRCUIT	FORM	ELECTRICAL RATINGS	REPLACEMENT PARTS
UL, SP, CE	IP20	632-S	Momentary	SPDT	C	20 A 125-250 VAC 1 H.P. 125-250 VAC	536-Q
UL, SP	IP20	632-SC3 <sup>1</sup>	Momentary	SPST Wired N.O.	A	15 A 125 VAC 3/4 H.P. 125 VAC	
UL, SP, CE	IP20	632-SC36 <sup>4</sup>	Momentary	SPST Wired N.O.	A	10 A 125-250 VAC 1/2 H.P. 125-250 VAC	522-E32
UL, SP	IP20	632-DC3A <sup>1</sup>	Maintained	SPDT Wired N.O.	C	15 A 125 VAC 3/4 H.P. 125 VAC	
UL <sup>us</sup> , CE	IP20	633-S	Momentary	SPDT DB <sup>3</sup>	Z	20 A 125-250 VAC 3/4 H.P. 125 VAC 1 H.P. 250 VAC	534-S
UL <sup>us</sup> , CE	IP20	635-S	Momentary	DPDT	C	15 A 125 VAC 10 A 250 VAC	533-F3
UL <sup>us</sup> , CE	IP20	636-S	Two Stage Momentary	Each Stage SPDT	C	1/2 H.P. 125-250 VAC	
UL, SP, CE	IP20	632-DA	Maintained	SPDT	C	20 A 125 VAC 10 A 250 VAC 1 1/2 H.P. 120-240 VAC	522-E32
UL <sup>us</sup> , CE	IP20	634-DA	Maintained	DPDT	C	10 A 125-250 VAC 1/8 H.P. 125 VAC 1/4 H.P. 250 VAC	533-M-6
UL <sup>us</sup> , CE	IP21	638-S	Momentary	SPDT	C	10 A 125-250 VAC 1/2 H.P. 125-250 VAC	522-A18
UL <sup>us</sup> , CE	IP21	638-SC38 <sup>2</sup>	Momentary	SPDT Wired N.O.	A		516-Z3

<sup>1</sup>Supplied with 8 ft. 14/3 cord and 3 prong series plug. Green lead grounded. <sup>2</sup>Supplied with 8 ft. 16/3 cord, wired N.O. with green lead grounded. <sup>3</sup>DB Double Break models must be wired to equal voltage sources and the same polarity. The loads should be on the same sides of the line. <sup>4</sup>Supplied with 6 ft. 18/3 cord.

**CLIPPER**



SIZE (HxWxD): 1.76 x 3.45 x 4.55 In.  
 WEIGHT: 2.25 lbs.

**WARNING SEE PRODUCT WARNING PAGE ON 109**

For Dimension Drawings visit [www.linemaster.com](http://www.linemaster.com) and click on Data Sheets located under the Guides & Literature Tab

NEMA Type 1 • UL ENCLOSURE 1  
(CSA ENCLOSURE Type 1 - TWIN 632-S & 642-S)  
EN 60529 Degree of Protection IP20  
IP68 Upon Request

**SPLASH RESISTANT (AVAILABLE)**

MEDIUM DUTY GENERAL PURPOSE DESIGN



**MATERIALS OF CONSTRUCTION:**

- Constructed of Cast Iron for long life
- Non-skid base pad
- Adjustable Strain relief connector
- Durable black finish
- Model 642-DA can be used to control lighting

**FEATURES & BENEFITS:**

- Proven Reliability
- All maintained models offer "Push On-Push Off" action that insures long trouble-free performance
- Wide Treadle Models have 2 holes provided for rigid mounting to floor or equipment
- Twin Models have 4 holes provided for rigid mounting to floor or equipment
- Divider Bar on Twin Models aids in Reducing Accidental Operation of Multiple Pedals at Once

**OPTIONS:**

- The wide treadle models offer a large seven inch target for the operator's foot
- Aluminum housing available for Twin Models
- AirVal models available (See page 70 for details)
- Heavy gauge steel guard available (See pages 91-94 for details)

For Dimension Drawings visit [www.linemaster.com](http://www.linemaster.com) and click on Data Sheets located under the Guides & Literature Tab

# CLIPPER TWIN & WIDE TREADLE



TWIN  
SIZE (HxWxD): 1.87 x 8.38 x 4.54 In.  
WEIGHT: 5.00 lbs.



WIDE TREADLE  
SIZE (HxWxD): 1.78 x 7.00 x 5.50 In.  
WEIGHT: 3.63 lbs.

**WARNING** SEE PRODUCT WARNING PAGE ON 109

EN 60529 Degree of Protection IP65 • IP68 Upon Request

**SPLASH RESISTANT • CORROSION RESISTANT (AVAILABLE)**

MEDIUM DUTY GENERAL PURPOSE DESIGN



**MATERIALS OF CONSTRUCTION:**

- Constructed of aluminum die cast
- Non-skid base pad
- Durable black finish
- Integral adjustable strain relief clamp
- Operating Temperature Range: -20 degrees C to +80 degrees C (-4 degrees F to +176 degrees F)
- 1/2" - 14 NPT Conduit Entry

**FEATURES & BENEFITS:**

- Proven Reliability
- 2 holes provided (2.875" center - to - center) for rigid mounting to floor or equipment
- Gasket seal provides superior protection from liquids
- Stainless steel exterior hardware
- Steel actuating mechanism
- Passivated stainless steel springs

**OPTIONS:**

- Heavy gauge steel guard available on special order
- Cabled variations available

For Dimension Drawings visit [www.linemaster.com](http://www.linemaster.com) and click on Data Sheets located under the Guides & Literature Tab

# CLIPPER II



SIZE (HxWxD): 2.13 x 3.50 x 5.61 In.  
WEIGHT: 1.15 lbs.

**WARNING** SEE PRODUCT WARNING PAGE ON 109

SPECIFICATIONS (Special variations are available to the O.E.M. on special order on the models listed below)

AGENCY APPROVALS	EN 60529 Degree of Protection	CATALOG NUMBER	DESCRIPTION	CIRCUIT	FORM	ELECTRICAL RATINGS	REPLACEMENT PARTS
UL, cUL, CE	IP20	TWIN 632-S	Twin / Momentary	Each Side SPDT	C	20 A 125-250 VAC 1 H.P. 125-250 VAC	536-Q
cUL, CE	IP20	TWIN 635-S	Twin / Momentary	Each Side DPDT	C	15 A 125 VAC 10 A 250 VAC 1/2 H.P. 125-250 VAC	533-F3
UL, cUL, CE	IP20	642-S	Wide Treadle / Momentary	SPDT	C	20 A 125-250 VAC 1 H.P. 125-250 VAC	536-Q
cUL, CE	IP20	643-S	Wide Treadle / Momentary	SPDT DB <sup>1</sup>	Z	20 A 125-250 VAC 3/4 H.P. 125 VAC 1 H.P. 250 VAC	534-S
cUL, CE	IP20	645-S	Wide Treadle / Momentary	DPDT	C	15 A 125 VAC 10 A 250 VAC	533-F3
cUL, CE	IP20	646-S	Wide Treadle / Momentary 2-Stage	Each Stage SPDT	C	1/2 H.P. 120-240 VAC	
UL, cUL, CE	IP20	642-DA	Wide Treadle / Maintained	SPDT	C	20 A 125 VAC 10 A 250 VAC 1 1/2 H.P. 125-240 VAC	522-E32

<sup>1</sup>DB Double Break models must be wired to equal voltage sources and the same polarity. The loads should be on the same sides of the line.

SPECIFICATIONS (Special variations are available to the O.E.M. on special order on the models listed below)

AGENCY APPROVALS	EN 60529 Degree of Protection	CATALOG NUMBER	DESCRIPTION	CIRCUIT	FORM	ELECTRICAL RATINGS	REPLACEMENT PARTS
cUL, CE	IP65	911-SZA	Momentary	SPDT	C	20 A 1.5 H.P. 125 VAC 2 H.P. 250 VAC	522-L41

NEMA Type 1 • UL ENCLOSURE 1 • CSA ENCLOSURE Type 1  
(492-S DOES NOT HAVE NEMA Type 1 & UL ENCLOSURE 1)  
EN 60529 Degree of Protection IP20

**SPLASH RESISTANT (AVAILABLE MOMENTARY ONLY)**

VERSATILE COMPACT DESIGN



**MATERIALS OF CONSTRUCTION:**

- Steel housing is painted Black
- Metal Mounting Plate spot welded to base on 491-SC36MP
- Twin Baseplate formed from cast aluminum
- The two pedal model is supplied with a divider bar between pedals which helps prevent accidental operation of both pedals at one time

**FEATURES & BENEFITS:**

- Momentary & Maintained Models Non-Skid base pad for secure placement
- Compact in size and light in weight
- Supplied with internal adjustable strain relief
- Built for long life
- 2 Mounting Holes for Rigid Mounting to Floor or Equipment

**OPTIONS:**

- Rectangular mounting bracket is available for Compact models on special order. Bracket comes spot-welded to switch base and has two clearance holes for mounting
- Heavy gauge steel guard available (See pages 91-94 for details)
- Airval models available (See page 71 for details)

For Dimension Drawings visit [www.linemaster.com](http://www.linemaster.com) and click on Data Sheets located under the Guides & Literature Tab

**COMPACT**



SINGLE  
SIZE (HxWxD): 1.28 x 2.50 x 2.87 In.  
WEIGHT: 7.00 oz.



MOUNTING BRACKET MODEL  
SIZE (HxWxD): 1.46 x 5.98 x 2.875 In.  
WEIGHT: 1.25 lbs.



TWIN  
SIZE (HxWxD): 1.28 x 3.50 x 2.87 In.  
WEIGHT: 1.05 lbs.

**WARNING** SEE PRODUCT WARNING PAGE ON 109

SPECIFICATIONS (Special variations are available to the O.E.M. on special order on the models listed below)

AGENCY APPROVALS	EN 60529 Degree of Protection	CATALOG NUMBER	DESCRIPTION	CIRCUIT	FORM	ELECTRICAL RATINGS	REPLACEMENT PARTS
	IP20	491-S	Single / Momentary	SPDT	C	10 A 125-250 VAC 1/2 H.P. 125-250 VAC	22-475-P3
	IP20	491-SC36 <sup>2</sup>	Single / Momentary	SPDT Wired N.O.	A	10 A 125 VAC 1/2 H.P. 125 VAC	
	IP20	491-SC3 <sup>1</sup>	Single / Momentary	SPDT Wired N.O.	A	10 A 125 VAC 1/2 H.P. 125 VAC	
	IP20	492-S	Single / Momentary	SPDT	C	20 A 125-250 VAC 1 H.P. 125-250 VAC	534-SS
	IP20	TWIN 491-S	Twin / Momentary	SPDT - Each Side	C	10 A 125-250 VAC 1/2 H.P. 125-250 VAC	22-475-P3
	IP20	491-SC36MP <sup>2</sup>	Single / Momentary with Mounting Plate	SPDT Wired N.O.	A	10 A 125-250 VAC 1/2 H.P. 125-250 VAC	

<sup>1</sup>Supplied with 8 ft. 16/3 cord with 3 prong series plug. Green lead grounded. <sup>2</sup>Supplied with 6 ft. 16/3 cord without plug. Green lead grounded.

NEMA Type 1 • UL ENCLOSURE 1  
EN 60529 Degree of Protection IP20

**SPLASH RESISTANT (AVAILABLE MOMENTARY ONLY)**

VERSATILE COMPACT DESIGN



**MATERIALS OF CONSTRUCTION:**

- Zinc die-cast cover and base
- Black Powder-Coat paint finish
- Plastic base and cover inserts for insulation
- 18 Gauge, 8 foot cable on select models

**FEATURES & BENEFITS:**

- Non-Skid base pad for secure placement
- Larger foot print and heavier than the original Compact
- Supplied with internal adjustable strain relief
- Built for long life
- 2 Mounting Holes for Rigid Mounting to Floor or Equipment

**OPTIONS:**

- Rectangular mounting bracket is available for Compact models on special order. Easy to assemble.
- Heavy gauge steel guard available (See pages 91-94 for details)
- 25 Amp option available
- Plastic Cover Available
- IP68 (Waterproof) option available.

For Dimension Drawings visit [www.linemaster.com](http://www.linemaster.com) and click on Data Sheets located under the Guides & Literature Tab

**COMPACT II**



SIZE (HxWxD): 1.42 x 2.76 x 3.15 In.  
WEIGHT: 11.00 oz.

**WARNING** SEE PRODUCT WARNING PAGE ON 107

SPECIFICATIONS (Special variations are available to the O.E.M. on special order on the models listed below)

AGENCY APPROVALS	EN 60529 Degree of Protection	CATALOG NUMBER	DESCRIPTION	CIRCUIT	FORM	ELECTRICAL RATINGS	REPLACEMENT PARTS
	IP20	811-SZ	Single / Momentary	SPDT	C	20 A 125/250/480 VAC 1 1/2 H.P. 125 VAC; 2 H.P. 250 VAC	
	IP20	811-SC3Z <sup>1</sup>	Single / Momentary	SPDT Wired N.O.	A	10 A 1/2 H.P. 125 VAC	
	IP20	811-SC36Z <sup>2</sup>	Single / Momentary	SPDT Wired N.O.	A	10 A 1/2 H.P. 125/250 VAC	

<sup>1</sup>Supplied with 8 ft. 18/3 cord with 3 prong series plug. Green lead grounded. <sup>2</sup>Supplied with 8 ft. 18/3 cord without plug. Green lead grounded.

NEMA Type 1 • UL ENCLOSURE 1  
EN 60529 Degree of Protection IP20 • IP68 Upon Request

## DELUXE

**WATERPROOF (AVAILABLE)**

LARGE LOW PROFILE ERGONOMIC DESIGN



### MATERIALS OF CONSTRUCTION:

- Constructed of Cast Aluminum
- Painted gray

### FEATURES & BENEFITS:

- The parabolic curvature of the cover makes the Deluxe easy to operate without fatigue
- Full nonskid base pad

### OPTIONS:

- Twin and triple models available - special order
- Guarding available contact Linemaster for details

For Dimension Drawings visit [www.linemaster.com](http://www.linemaster.com) and click on Data Sheets located under the Guides & Literature Tab



SIZE (HxWxD): 1.71 x 4.91 x 5.44 In.  
WEIGHT: 1.00 lbs.

**WARNING** SEE PRODUCT WARNING PAGE ON 107

NEMA Type 1 • UL ENCLOSURE 1  
EN 60529 Degree of Protection IP20 • IP68 Upon Request

## DELUXE II

LARGE LOW PROFILE MULTI-FUNCTION DESIGN



### MATERIALS OF CONSTRUCTION:

- Cover is molded from medium gray high impact polymeric material
- Base and treadles are made of a die cast zinc
- The cover tapers close to the floor in the front with a full five inches between the side treadle bars
- A Non-skid base pad provides a secure placement
- This multi-pedal foot switch should be considered when function, good looks and economy are required
- It incorporates a unique building block approach that allows the use of up to four basic SPDT snap switches
- SPECIAL VARIATIONS are available to the O.E.M. Special modifications include custom cordsets, nameplates, two stage operation, non operative cover, special circuits and a special translucent molded vinyl cover for added environmental protection against limited amounts of water and dirt
- Switch cover actuates separate function

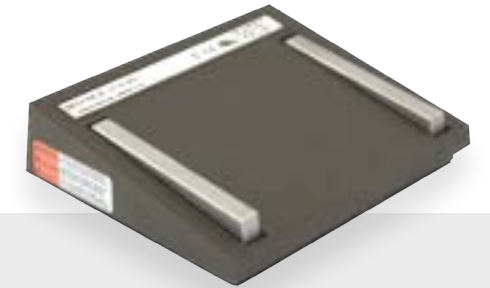
### FEATURES & BENEFITS:

- Treadles are made of a die cast metal
- The cover tapers close to the floor in the front with a full five inches between the side treadle bars
- A Non-skid base pad provides a secure placement
- Supplied with internal adjustable Strain Relief for cord

### OPTIONS:

- SPECIAL VARIATIONS are available to the O.E.M. Special modifications include custom cordsets, nameplates, two stage operation, non operative cover, special circuits and a special translucent molded vinyl cover for added environmental protection against limited amounts of water and dirt
- Available protective vinyl cover that can be applied over our Deluxe II. This cover is available only in Semi-clear, and provides additional protection to the foot switch from limited amounts of liquid, dust, dirt, mud and snow

For Dimension Drawings visit [www.linemaster.com](http://www.linemaster.com) and click on Data Sheets located under the Guides & Literature Tab



SIZE (HxWxD): 1.67 x 6.87 x 5.64 In.  
WEIGHT: 2.00 lbs.

**WARNING** SEE PRODUCT WARNING PAGE ON 107

The translucent vinyl cover is made by a dip molding process. Minor cosmetic imperfections and blemishes are inherent in dip molded parts and must be expected. However, the basic environmental protection afforded is not affected.

SPECIFICATIONS (Special variations are available to the O.E.M. on special order on the models listed below)

AGENCY APPROVALS	EN 60529 Degree of Protection	CATALOG NUMBER	DESCRIPTION	CIRCUIT	FORM	ELECTRICAL RATINGS	REPLACEMENT PARTS
	IP20	81-S	Momentary	SPDT	C	10 A 125-250 VAC	533-F3
	IP20	85-S	Two Stage Momentary	Each Stage SPDT	C	1/2 H.P. 125-250 VAC	22-475-P3

SPECIFICATIONS (Special variations are available to the O.E.M. on special order on the models listed below)

AGENCY APPROVALS	EN 60529 Degree of Protection	CATALOG NUMBER	DESCRIPTION	PEDALS	CIRCUIT	FORM	ELECTRICAL RATINGS	REPLACEMENT PARTS
	IP20	68-S3	Dual Treadle / Momentary	2 Pedals plus Cover	SPDT	C	10A 125-250 VAC 1/2 H.P. 125-250 VAC	533-F3
	IP20	68-S3N	Dual Treadle / Momentary	2 Pedals <sup>1</sup>	SPDT	C		
	IP20	68-S4N	Dual Treadle / Momentary	2 Pedals <sup>1</sup>	DPDT	C		
	IP20	68-S2	Single Treadle / Momentary	1 Pedal plus Cover	SPDT	C		

<sup>1</sup>Cover non-operative with side treadle bars active.

NEMA Type 2, 4, 6 & 6P  
EN 60529 Degree of Protection IPX8 • MEETS IEC 60601-2-2

# DOLPHIN

DRIP TIGHT • DUST TIGHT • WATERTIGHT

HIGH IMPACT LOW PROFILE OMNI-DIRECTIONAL DESIGN



### MATERIALS OF CONSTRUCTION:

- Actuation from any direction with moderate pressure
- The cover and base is molded in a high impact polymeric compound
- Base includes mounting provisions

### FEATURES & BENEFITS:

- Low profile to aide in elimination of fatigue
- A nonskid base pad
- Wired normally open, no ground

### OPTIONS:

- Stainless Steel Weight Plate Available
- Custom Cable Available

For Dimension Drawings visit [www.linemaster.com](http://www.linemaster.com) and click on Data Sheets located under the Guides & Literature Tab



SIZE (DIA. X H): 3.50 x 1.00 In.  
WEIGHT: 9.00 oz.

**⚠ WARNING SEE PRODUCT WARNING PAGE ON 107**

**⚠ WARNING INTENDED FOR INDOOR USE PRIMARILY TO PROVIDE A DEGREE OF PROTECTION AGAINST THE ENTRY OF WATER DURING OCCASIONAL TEMPORARY SUBMERSION AT A LIMITED DEPTH.**

EN 60529 Degree of Protection IP20  
UL Available on Special Orders

# DUPLEX

MOTION CONTROL DEVICE

HEEL-TO-TOE ROCKER ACTION DESIGN



### MATERIALS OF CONSTRUCTION:

- Die cast Aluminum housing
- Black finish
- Mechanical Interlock—prevents both circuits from being operated at the same time
- Operates on the teeter-totter principle pressure on one side opens or closes line, release of pressure returns switch to normal off position, pressure on other side opens or closes circuit, independent of first

### FEATURES & BENEFITS:

- Non-skid Base pad
- Housing is pivoted in the center for easy heel-toe operation
- Both sides can be wired normally open or normally closed
- All wiring connections are made internally with only a single cord being brought out
- Adjustable strain relief connector that accommodates a wide range of cable sizes
- Eliminates costly harness assemblies
- Offers real economy

### OPTIONS:

- DPDT Available on Special Orders
- Available with UL approval

For Dimension Drawings visit [www.linemaster.com](http://www.linemaster.com) and click on Data Sheets located under the Guides & Literature Tab



SIZE (DIA. X H): 3.50 x 1.00 In.  
WEIGHT: 9.00 oz.

**⚠ WARNING SEE PRODUCT WARNING PAGE ON 107**

SPECIFICATIONS (Special variations are available to the O.E.M. on special order on the models listed below)

AGENCY APPROVALS	EN 60529 Degree of Protection	CATALOG NUMBER	DESCRIPTION	CIRCUIT	FORM	ELECTRICAL RATINGS	REPLACEMENT PARTS
	IPX8	D42-SNO28 <sup>1</sup>	Momentary	SPST Wired N.O.	A	5 A Resistive 125 VAC 28 VDC 3 A General Purpose 125 VAC Standard Pilot Duty 125 VAC Max.	Not Field Repairable

<sup>1</sup>Supplied with 8 ft. 18/2 cord without plug.

SPECIFICATIONS (Special variations are available to the O.E.M. on special order on the models listed below)

AGENCY APPROVALS	EN 60529 Degree of Protection	CATALOG NUMBER	DESCRIPTION	CIRCUIT	FORM	ELECTRICAL RATINGS	REPLACEMENT PARTS
N/A	IP20	476-S	Momentary	SPDT Each Side	C	15 A 125-250 VAC 1/2 H.P. 125-250 VAC	22-475-P3

EN 60529 Degree of Protection IP20

RUST PROOF - CORROSION RESISTANT

SPEED CONTROL DEVICE



**MATERIALS OF CONSTRUCTION:**

- Steel baseplate for increased strength
- Supplied with dual cordsets, single series plug or custom modified for the O.E.M.
- Polymeric material will not rust or corrode

**FEATURES & BENEFITS:**

- Variable control of small fractional horsepower Universal motors, leaving hands free
- Full Wave variable speed mode, provides higher torque at low RPM's and smoother control of the motor.
- Standard color is black; custom colors may be quoted on large O.E.M. orders
- 2 holes provided for rigid mounting to floor or equipment
- Hall Effect Sensor technology that provides consistent and accurate performance over the life of the foot control, while offering a longer life for the foot control.
- Electronic calibration ensures accurate motor control over the full travel of the pedal.
- Overcurrent Protected.

**OPTIONS:**

- Steel Weight plate available
- Heavy gauge steel guard available (See pages 91-94 for details)

For Dimension Drawings visit [www.linemaster.com](http://www.linemaster.com) and click on Data Sheets located under the Guides & Literature Tab

# ELECTRONIC AC SPEED CONTROL



ACTUATING HAND BULB  
 SIZE (HxWxD): 2.25 x 4.00 x 6.34 In.  
 WEIGHT: 1.21 lbs.

**⚠ WARNING SEE PRODUCT WARNING PAGE ON 107**

NEMA Type 1 • UL ENCLOSURE 1  
 EN 60529 Degree of Protection IP20 • IP68 Upon Request

MOTION CONTROL DEVICE

ROCKER ACTION LOW PROFILE DESIGN



**MATERIALS OF CONSTRUCTION:**

- Cover is a medium gray Die Cast Zinc material
- Mechanical Interlock—prevents both circuits from being operated at the same time
- Operates on the teeter-totter principle pressure on one side opens or closes line, release of pressure returns switch to normal off position, pressure on other side opens or closes circuit, independent of first

**FEATURES & BENEFITS:**

- Non-skid Base pad
- Both sides can be wired normally open or normally closed
- All wiring connections are made internally with only a single cord being brought out
- Eliminates costly harness assemblies
- Offers real economy

**OPTIONS:**

- Twin, Triple, Quad & Quint versions available
- Heavy gauge steel guard available (See pages 91-94 for details)
- Twin and Triple version guards available contact Linemaster for details

For Dimension Drawings visit [www.linemaster.com](http://www.linemaster.com) and click on Data Sheets located under the Guides & Literature Tab

# EXECUTIVE



SIZE (HxWxD): 1.62 x 4.28 x 4.75 In.  
 WEIGHT: 1.50 lbs.

**⚠ WARNING SEE PRODUCT WARNING PAGE ON 107**

SPECIFICATIONS (Special variations are available to the O.E.M. on special order on the models listed below)						
AGENCY APPROVALS	EN 60529 Degree of Protection	CATALOG NUMBER	DESCRIPTION	CORDSET(S)	ELECTRICAL RATINGS	REPLACEMENT PARTS
	IP20	982-SC3	Momentary	6' 18/3 SVT with 3-prong plug 1' 18/3 SVT with mating receptacle	6 A 115 VAC 3 A 230 VAC	Not Field Repairable
	IP20	982-SC36	Momentary	6' 18/3 SVT with outer jacket stripped back 1' 18/3 SVT with outer jacket stripped back	6 A 115 VAC 3 A 230 VAC	

SPECIFICATIONS (Special variations are available to the O.E.M. on special order on the models listed below)							
AGENCY APPROVALS	EN 60529 Degree of Protection	CATALOG NUMBER	DESCRIPTION	CIRCUIT	FORM	ELECTRICAL RATINGS	REPLACEMENT PARTS
	IP20	72	Momentary	SPDT Each Side	C	10 A 125-250 VAC	514-N3
	IP20	74	Momentary	DPDT Each Side	C	1/2 H.P. 125-250 VAC	

Class I • Division 1 • Group D • Class II  
 Group F & G • Class I • Zone 1 • Group IIA  
 NEMA Type 2, 7D & 9F • UL ENCLOSURE 2  
 EN 60529 Degree of Protection IP41

## EXPLOSION PROOF INDUSTRIAL 500

### EQUIPMENT FOR HAZARDOUS LOCATIONS



#### MATERIALS OF CONSTRUCTION:

- Aluminum full guard with integral base plate painted Alert Orange
- All models supplied with a 3/4"-14 N.P.T. threaded rigid metal conduit entry and mounting provisions in the base plate
- Integral handle for ease of moving

#### FEATURES & BENEFITS:

- Non sparking cast aluminum housing
- 4 holes provided for rigid mounting to floor or equipment
- The two pedal model is supplied with a divider bar between pedals which helps prevent accidental operation of both pedals at one time

#### OPTIONS:

- Waterproof model available under "600 Series" (See page 52 for details)
- Medical Explosion-proof models available (See pages 53 & 54 for details)

For Dimension Drawings visit [www.linemaster.com](http://www.linemaster.com) and click on Data Sheets located under the Guides & Literature Tab



SIZE (HxWxD): 4.38 x 11.00 x 10.25 In.  
 WEIGHT: 8.75 lbs.

**WARNING** SEE PRODUCT WARNING PAGE ON 107

Class 1 • Division 1 • Group D • Class II • Group F & G  
 Class 1 • Zone 1 • Group IIA • NEMA Type 2, 3, 4, 6, 6P,  
 13, 7D & 9F • UL ENCLOSURE 2, 3, 4, 6, 6P, 7, 9 & 13  
 EN 60529 Degree of Protection IP68 • Meets IEC 60601-2-2

## EXPLOSION PROOF INDUSTRIAL 600

### DRIP TIGHT • DUST TIGHT • WATERTIGHT • OIL TIGHT

### EQUIPMENT FOR HAZARDOUS LOCATIONS



#### MATERIALS OF CONSTRUCTION:

- Aluminum full guard with integral base plate painted Alert Orange
- Integral handle for ease of moving
- All models supplied with a 3/4"-14 N.P.T. threaded rigid metal conduit entry and mounting provisions in the base plate
- Industrial Explosion Proof foot switch Series 600 offers added environmental protection against water and oil, through the addition of sealing O-rings on the pivot rod and between the cover and base
- This is accomplished by increasing the thickness of the housing walls, without negating the integrity of the metal to metal contact required to qualify as explosion proof

#### FEATURES & BENEFITS:

- Non sparking cast aluminum housing
- 4 holes provided for rigid mounting to floor or equipment
- The two pedal model is supplied with a divider bar between pedals which helps prevent accidental operation of both pedals at one time

#### OPTIONS:

- Medical Explosion-proof models available (See pages 53 & 54 for details)

For Dimension Drawings visit [www.linemaster.com](http://www.linemaster.com) and click on Data Sheets located under the Guides & Literature Tab



SIZE (HxWxD): 4.38 x 11.00 x 10.25 In.  
 WEIGHT: 9.50 lbs.

**WARNING** SEE PRODUCT WARNING PAGE ON 109

SPECIFICATIONS (Special variations are available to the O.E.M. on special order on the models listed below)

AGENCY APPROVALS	EN 60529 Degree of Protection	CATALOG NUMBER	DESCRIPTION	CIRCUIT	FORM	ELECTRICAL RATINGS	REPLACEMENT PARTS
	IP41	592-EX	Single Pedal / Momentary	SPDT	C	15 A 125 VAC 10 A 250 VAC	534-SS
	IP41	594-EX	Single Pedal / Momentary	DPDT	C	3/4 H.P. 125 VAC 1 H.P. 250 VAC	
	IP41	597-EX	Two Pedal / Momentary	Each Pedal SPDT	C	Heavy Pilot Duty 250 VAC Max. 3 A 28 VDC	

SPECIFICATIONS (Special variations are available to the O.E.M. on special order on the models listed below)

AGENCY APPROVALS	EN 60529 Degree of Protection	CATALOG NUMBER	DESCRIPTION	CIRCUIT	FORM	ELECTRICAL RATINGS	REPLACEMENT PARTS
	IP68	602-EX	Single Pedal / Momentary	SPDT	C	15 A 125 VAC 10 A 250 VAC	534-SS
	IP68	604-EX	Single Pedal / Momentary	DPDT	C	3/4 H.P. 125 VAC 1 H.P. 250 VAC	
	IP68	607-EX	Two Pedal / Momentary	Each Pedal SPDT	C	Heavy Pilot Duty 250 VAC Max. 3 A 28 VDC	

Class I • Division 1 • Group C & D • Class I  
 Zone 1 • Group IIA & IIB • NEMA Type 7C  
 EN 60529 Degree of Protection IP41

## EXPLOSION PROOF MEDICAL 500

EQUIPMENT FOR HAZARDOUS LOCATIONS  
 NOT FOR USE IN INDUSTRIAL APPLICATIONS



### MATERIALS OF CONSTRUCTION:

- Aluminum base plate with nonskid conductive rubber base pad
- Both models prewired with potted connector MS-3102R-18-4PW
- Two pedal model wired with an electrical interlock and supplied with a divider bar between pedals which helps prevent accidental operation of both pedals at one time
- Foot switch painted black
- Integral handle for ease of moving

### FEATURES & BENEFITS:

- Non sparking cast aluminum housing
- The two pedal model is supplied with a divider bar between pedals which helps prevent accidental operation of both pedals at one time
- Two pedal models prewired with electrical interlock

### OPTIONS:

- Use mating connector MS-3106A-18-4SW, plus strain relief clamp MS-3057-10 or 10A
- Mating connector with cable clamp available from LINEMASTER®. Order as Catalog Number LSC-835
- Industrial Explosion-proof models available (See pages 51 & 52 for details)



SIZE (HxWxD): 4.38 x 9.75 x 10.00 In.  
 WEIGHT: 7.50 lbs.

**WARNING** SEE PRODUCT WARNING  
 PAGE ON 109

For Dimension Drawings visit [www.linemaster.com](http://www.linemaster.com) and click on Data Sheets located under the Guides & Literature Tab

SPECIFICATIONS (Special variations are available to the O.E.M. on special order on the models listed below)								
AGENCY APPROVALS	EN 60529 Degree of Protection	CATALOG NUMBER	DESCRIPTION	CIRCUIT	FORM	WIRED	ELECTRICAL RATINGS	REPLACEMENT PARTS
UL US CE	IP41	591-EX	Single Pedal / Momentary	SPDT	C	Pin A-Normally Open B-Common C-Normally Closed D-Ground	5 A 125-250 VAC 3 A 28 VDC	534-SS
UL US CE	IP41	596-EX	Two Pedal / Momentary	Each Pedal SPNO	A	Pin A-Normally Open (Left Pedal) B-Common C-Normally Open (Right Pedal) D-Ground		

Class I • Division 1 • Group C & D • Class I  
 Zone 1 • Group IIA & IIB • NEMA Type 7C  
 EN 60529 Degree of Protection IP68  
 Meets IEC 60601-2-2

## EXPLOSION PROOF MEDICAL 600

EQUIPMENT FOR HAZARDOUS LOCATIONS  
 NOT FOR USE IN INDUSTRIAL APPLICATIONS



### MATERIALS OF CONSTRUCTION:

- Medical Explosion Proof foot switch Series 600 is a UL Listed construction that allows the addition of sealing O-rings on the pivot rod and between the base and cover
- This is accomplished by increasing the thickness of the housing wall, without negating the integrity of the metal to metal contact required to qualify as explosion proof
- Aluminum baseplate with non-skid conductive rubber basepad
- Footswitch painted black
- Integral handle for ease of moving

### FEATURES & BENEFITS:

- Non sparking cast aluminum housing
- The two pedal model is supplied with a divider bar between pedals which helps prevent accidental operation of both pedals at one time
- Two pedal models prewired with electrical interlock

### OPTIONS:

- Use mating connector MS or CA-3106F-18-4SW-(A105)-(F74)\* which includes cable clamp, or CA-06R-18-4SW-(A105)-(F74)\* which includes cable clamp
- Mating connector with cable clamp available from LINEMASTER®. Order as Catalog Number LSC-575-24
- Industrial Explosion-proof models available (See pages 51 & 52 for details)

For Dimension Drawings visit [www.linemaster.com](http://www.linemaster.com) and click on Data Sheets located under the Guides & Literature Tab



SIZE (HxWxD): 4.38 x 9.75 x 10.00 In.  
 WEIGHT: 8.00 lbs.

**WARNING** SEE PRODUCT WARNING  
 PAGE ON 109

SPECIFICATIONS (Special variations are available to the O.E.M. on special order on the models listed below)								
AGENCY APPROVALS	EN 60529 Degree of Protection	CATALOG NUMBER	DESCRIPTION	CIRCUIT	FORM	WIRED	ELECTRICAL RATINGS	REPLACEMENT PARTS
UL US CE	IP68	601-EX	Single Pedal / Momentary	SPDT	C	Pin A-Normally Open B-Common C-Normally Closed D-Ground	5 A 125-250 VAC 3 A 28 VDC	534-SS
UL US CE	IP68	606-EX	Two Pedal / Momentary	Each Pedal SPNO	A	Pin A-Normally Open (Left Pedal) B-Common C-Normally Open (Right Pedal) D-Ground		

NEMA Type 2 • UL ENCLOSURE 2 (VK ONLY)  
 NEMA Type 1 • UL ENCLOSURE 1  
 EN 60529 Degree of Protection IP21  
 IP68 Upon Request

DRIP TIGHT • DUST TIGHT (VK ONLY)  
 CORROSION RESISTANT

COMPACT OMNI-DIRECTIONAL DESIGN



**MATERIALS OF CONSTRUCTION:**

- Mounted in a chrome plated heavy zinc die cast housing
- A full nonskid base pad
- A special vinyl cover gives added environmental protection against limited amounts of water and dirt
- The dip molded cover is bonded to the vinyl base pad of the foot switch

**FEATURES & BENEFITS:**

- Features a round black actuating cap
- Moderate pressure from any direction operates the switch
- Standard models supplied with cordset
- Wired normally open and grounded
- Ease of operation with foot or hand
- The cable entry boot is clinched tight to the cordset

**OPTIONS:**

- Special paint finish available
- Silk Screening available
- Special single wiring channel with or without side protectors available
- Twin version available
- Linear models available contact Linemaster for details
- European type foot switch is offered pre wired with 3 conductor cordset having brown, blue and green/yellow colored leads. It is a momentary contact and wired normally open with green/yellow lead grounded to switch base

For Dimension Drawings visit [www.linemaster.com](http://www.linemaster.com) and click on Data Sheets located under the Guides & Literature Tab

**GEM-V & GEM-VK**



V SERIES  
 SIZE (Dia. x H): 3.81 x 1.30 In.  
 WEIGHT: 1.00 lbs.



VK SERIES  
 SIZE (Dia. x H): 5.06 x 1.57 In.  
 WEIGHT: 1.50 lbs.

**WARNING SEE PRODUCT WARNING PAGE ON 109**

SPECIFICATIONS (Special variations are available to the O.E.M. on special order on the models listed below)							
AGENCY APPROVALS	EN 60529 Degree of Protection	CATALOG NUMBER	DESCRIPTION	CIRCUIT	FORM	ELECTRICAL RATINGS	REPLACEMENT PARTS
	IP21	GEM-VK3 <sup>1</sup>	Momentary / Vinyl Cover	SPST Wired N.O.	A	10 A 125 VAC 1/2 H.P. 125 VAC	Not Field Repairable
	IP21	GEM-VK36 <sup>2</sup>	Momentary / Vinyl Cover	SPST Wired N.O.	A	10 A 125-250 VAC 1/2 H.P. 125-250 VAC	
	IP20	GEM-VCEA <sup>3</sup>	Momentary	SPST Wired N.O.	A	10 A 125-250 VAC 1/2 H.P. 125-250 VAC	524-P6
	IP20	GEM-V2	Momentary	SPDT	C	15 A 125-250 VAC 1/2 H.P. 125-250 VAC	
	IP20	GEM-V3 <sup>1</sup>	Momentary	SPST Wired N.O.	A	10 A 125 VAC 1/2 H.P. 125 VAC	
	IP20	GEM-V36 <sup>2</sup>	Momentary	SPST Wired N.O.	A	10 A 125-250 VAC 1/2 H.P. 125-250 VAC	

<sup>1</sup>Supplied with 6 ft. 18/3 cord and 3 prong series plug. Green lead grounded. <sup>2</sup>Supplied with 6 ft. 18/3 cord without plug. Green lead grounded. <sup>3</sup>Supplied with 2 meter 18/3 brown, blue & green/yellow leads.

NEMA Type 2, 4 & 13 • UL ENCLOSURE 2, 4 & 13  
 CSA ENCLOSURE 2, 4 & 13  
 EN 60529 Degree of Protection IP56

DRIP TIGHT • DUST TIGHT • WATERTIGHT • OIL TIGHT

NO SHIELD



**MATERIALS OF CONSTRUCTION:**

- Treadle and housing constructed from cast iron for strength and durability
- Painted Alert Orange
- Single 3/4"-14 N.P.T. threaded conduit entry is standard

**FEATURES & BENEFITS:**

- Rugged cast metal enclosure has sufficient weight to keep the switch from sliding when being operated
- All models have a neoprene cover gasket plus O-rings on the activating shaft and a separate ground screw
- In all Maintained Contact models the release is accomplished by simply pressing the latch with a light forward movement of the toe. The release is placed under the Full Shield so falling objects cannot easily release it
- 3 holes provided for rigid mounting to the floor or equipment

**OPTIONS:**

- Oversize "O" and "OX" Shield models accept oversized safety shoes and metatarsal foot guards. The "OX" Shield has an additional 3/4" (19.1 mm) opening height as compared to the "O" shield
- Special Dual 1/2"-14 N.P.T. threaded conduit entry and metric sizes available to the O.E.M. on special order
- Special Twin & Triple models available to the O.E.M. on special order
- Potentiometer models are available (See pages 60-63 for details)
- RF Wireless models are available (See page 75 for details)
- Hercules models available with cast aluminum base and covers (Except unshielded cover which is gray iron)

SPECIFICATIONS (Special variations are available to the O.E.M. on special order on the models listed below)								
AGENCY APPROVALS	EN 60529 Degree of Protection	CATALOG NUMBER	DESCRIPTION	STAGE	CIRCUIT	FORM	ELECTRICAL RATINGS	REPLACEMENT PARTS
	IP56	531-SWN	Momentary	Single	SPDT	C	20 A 125-250 VAC 1 H.P. 125-250 VAC Heavy Pilot Duty 250 VAC Max.	534-SS
	IP56	571-DWN	Maintained	Single	SPDT	C		
	IP56	532-SWN	Momentary	Single	DPDT	C		
	IP56	572-DWN	Maintained	Single	DPDT	C		
	IP56	533-SWN	Momentary	Single	TPDT	C		
	IP56	573-DWN	Maintained	Single	TPDT	C		
	IP56	534-SWN	Momentary	Two	SPDT	C		
	IP56	574-DWN	Maintained	Two	SPDT	C		
	IP56	535-SWN	Momentary	Three	SPDT	C		
	IP56	575-DWN	Maintained	Three	SPDT	C		
	IP56	536-SWN	Momentary	Single	SPDT DB <sup>1</sup>	Z	15 A 125-250 VAC 1/2 H.P. 125 VAC Heavy Pilot Duty 250 VAC Max.	534-U6
	IP56	537-SWN	Momentary	Single	DPDT DB <sup>1</sup>	Z		
	IP56	538-SWN	Momentary	Two	SPDT DB <sup>1</sup>	Z		

<sup>1</sup>DB Double Break models must be wired to equal voltage sources and the same polarity. The loads should be on the same sides of the line.

**HERCULES  
 NO SHIELD**



SIZE (HxWxD): 3.16 x 4.06 x 8.38 In.  
 WEIGHT: 7.00 lbs.

**WARNING SEE PRODUCT WARNING PAGE ON 109**

For Dimension Drawings visit [www.linemaster.com](http://www.linemaster.com) and click on Data Sheets located under the Guides & Literature Tab

NEMA Type 2, 4 & 13 • UL ENCLOSURE 2, 4 & 13  
 CSA ENCLOSURE 2, 4 & 13  
 EN 60529 Degree of Protection IP56

# HERCULES FULL SHIELD

DRIP TIGHT • DUST TIGHT • WATERTIGHT • OIL TIGHT

STANDARD FULL SHIELD



### MATERIALS OF CONSTRUCTION:

- Treadle and housing constructed from cast iron for strength and durability
- Protected by a strong cast aluminum shield
- Painted Alert Orange
- Single 3/4"-14 N.P.T. threaded conduit entry is standard

### FEATURES & BENEFITS:

- Rugged cast metal enclosure has sufficient weight to keep the switch from sliding when being operated
- All models have a neoprene cover gasket plus O-rings on the activating shaft and a separate ground screw
- In all Maintained Contact models the release is accomplished by simply pressing the latch with a light forward movement of the toe. The release is placed under the Full Shield so falling objects cannot easily release it
- 3 holes provided for rigid mounting to the floor or equipment

### OPTIONS:

- Oversize "O" and "OX" Shield models accept oversized safety shoes and metatarsal foot guards. The "OX" Shield has an additional 3/4" (19.1 mm) opening height as compared to the "O" shield
- Special Dual 1/2"-14 N.P.T. threaded conduit entry and metric sizes available to the O.E.M. on special order
- Special Twin & Triple models available to the O.E.M. on special order
- AirVal models are available (See page 72 for details)
- Potentiometer models are available (See pages 60-63 for details)
- RF Wireless models are available (See page 75 for details)
- Hercules models available with cast aluminum base & covers (Except unshielded cover which is gray iron) (Except unshielded cover which is gray iron)



SIZE (HxWxD): 4.37 x 5.86 x 9.00 In.  
 WEIGHT: 7.50 lbs.

**WARNING** SEE PRODUCT WARNING PAGE ON 109

For Dimension Drawings visit [www.linemaster.com](http://www.linemaster.com) and click on Data Sheets located under the Guides & Literature Tab

SPECIFICATIONS (Special variations are available to the O.E.M. on special order on the models listed below)										
AGENCY APPROVALS	EN 60529 Degree of Protection	CATALOG NUMBER	DESCRIPTION	STAGE	CIRCUIT	FORM	ELECTRICAL RATINGS	REPLACEMENT PARTS		
UL SF	IP56	531-SWH	Momentary	Single	SPDT	C	20 A 125-250 VAC 1 H.P. 125-250 VAC Heavy Pilot Duty 250 VAC Max.	534-SS		
UL SF	IP56	531-SWHC2 <sup>5</sup>	Momentary	Single	SPDT	C				
UL SF	IP56	571-DWH	Maintained	Single	SPDT	C				
UL SF	IP56	532-SWH	Momentary	Single	DPDT	C				
UL SF	IP56	572-DWH	Maintained	Single	DPDT	C				
UL SF	IP56	533-SWH	Momentary	Single	TPDT	C				
UL SF	IP56	533-SWHC2 <sup>5</sup>	Momentary	Single	TPDT	C				
UL SF	IP56	573-DWH	Maintained	Single	TPDT	C				
UL SF	IP56	573-DWHC2 <sup>5</sup>	Maintained	Single	TPDT	C				
UL SF	IP56	534-SWH	Momentary	Two	SPDT	C				
UL SF	IP56	574-DWH	Maintained	Two	SPDT	C				
UL SF	IP56	574-DWHA <sup>1</sup>	See Foot Note	Two	SPDT	C				
UL SF	IP56	574-DWHD <sup>2</sup>	See Foot Note	Two	SPDT	C				
UL SF	IP56	535-SWH	Momentary	Three	SPDT	C				
UL SF	IP56	575-DWH	Maintained	Three	SPDT	C				
UL SF	IP56	575-DWHA <sup>3</sup>	See Foot Note	Three	SPDT	C				
UL SF	IP56	536-SWH	Momentary	Single	SPDT DB <sup>4</sup>	Z			15 A 125-250 VAC 1/2 H.P. 125 VAC 1 H.P. 250 VAC Heavy Pilot Duty 250 VAC Max.	534-U6
UL SF	IP56	537-SWH	Momentary	Single	DPDT DB <sup>4</sup>	Z				
UL SF	IP56	538-SWH	Momentary	Two	SPDT DB <sup>4</sup>	Z				

<sup>1</sup>1st stage Maintained 2nd stage Momentary. <sup>2</sup>1st stage Momentary 2nd stage Maintained. <sup>3</sup>1st stage Maintained 2nd & 3rd stage Momentary. <sup>4</sup>DB Double Break models must be wired to equal voltage sources and the same polarity. The loads should be on the same sides of the line. <sup>5</sup>"C2" designates dual 1/2" NPT conduit entry.

NEMA Type 2, 4 & 13 • UL ENCLOSURE 2, 4 & 13  
 CSA ENCLOSURE 2, 4 & 13  
 EN 60529 Degree of Protection IP56

# HERCULES O SHIELD

DRIP TIGHT • DUST TIGHT • WATERTIGHT • OIL TIGHT

"O" SHIELD



### MATERIALS OF CONSTRUCTION:

- Treadle and housing constructed from cast iron for strength and durability
- Protected by a strong cast aluminum shield
- Painted Alert Orange
- Single 3/4"-14 N.P.T. threaded conduit entry is standard

### FEATURES & BENEFITS:

- Rugged cast metal enclosure has sufficient weight to keep the switch from sliding when being operated
- All models have a neoprene cover gasket plus O-rings on the activating shaft and a separate ground screw
- In all Maintained Contact models the release is accomplished by simply pressing the latch with a light forward movement of the toe. The release is placed under the Full Shield so falling objects cannot easily release it
- 3 holes provided for rigid mounting to the floor or equipment

### OPTIONS:

- Oversize "O" and "OX" Shield models accept oversized safety shoes and metatarsal foot guards. The "OX" Shield has an additional 3/4" (19.1 mm) opening height as compared to the "O" shield
- Dual 1/2"-14 N.P.T. threaded conduit entry and metric sizes available to the O.E.M. on special order
- Special Twin & Triple models available to the O.E.M. on special order
- AirVal models are available (See page 72 for details)
- Potentiometer models are available (See pages 60-63 for details)
- RF Wireless models are available (See page 75 for details)
- Hercules models available with cast aluminum base & covers (Except unshielded cover which is gray iron)



SIZE (HxWxD): 5.03 x 5.88 x 9.13 In.  
 WEIGHT: 8.00 lbs.

**WARNING** SEE PRODUCT WARNING PAGE ON 109

For Dimension Drawings visit [www.linemaster.com](http://www.linemaster.com) and click on Data Sheets located under the Guides & Literature Tab

SPECIFICATIONS (Special variations are available to the O.E.M. on special order on the models listed below)										
AGENCY APPROVALS	EN 60529 Degree of Protection	CATALOG NUMBER	DESCRIPTION	STAGE	CIRCUIT	FORM	ELECTRICAL RATINGS	REPLACEMENT PARTS		
UL SF	IP56	531-SWHO	Momentary	Single	SPDT	C	20 A 125-250 VAC 1 H.P. 125-250 VAC Heavy Pilot Duty 250 VAC Max.	534-SS		
UL SF	IP56	531-SWHOC2 <sup>5</sup>	Momentary	Single	SPDT	C				
UL SF	IP56	571-DWHO	Maintained	Single	SPDT	C				
UL SF	IP56	532-SWHO	Momentary	Single	DPDT	C				
UL SF	IP56	532-SWHOC2 <sup>5</sup>	Momentary	Single	DPDT	C				
UL SF	IP56	572-DWHO	Maintained	Single	DPDT	C				
UL SF	IP56	533-SWHO	Momentary	Single	TPDT	C				
UL SF	IP56	573-DWHO	Maintained	Single	TPDT	C				
UL SF	IP56	534-SWHO	Momentary	Two	SPDT	C				
UL SF	IP56	574-DWHO	Maintained	Two	SPDT	C				
UL SF	IP56	574-DWHA <sup>1</sup>	See Foot Note	Two	SPDT	C				
UL SF	IP56	574-DWHOD <sup>2</sup>	See Foot Note	Two	SPDT	C				
UL SF	IP56	535-SWHO	Momentary	Three	SPDT	C				
UL SF	IP56	575-DWHO	Maintained	Three	SPDT	C				
UL SF	IP56	575-DWHA <sup>3</sup>	See Foot Note	Three	SPDT	C				
UL SF	IP56	536-SWHO	Momentary	Single	SPDT DB <sup>4</sup>	Z			15 A 125-250 VAC 1/2 H.P. 125 VAC 1 H.P. 250 VAC Heavy Pilot Duty 250 VAC Max.	534-U6
UL SF	IP56	537-SWHO	Momentary	Single	DPDT DB <sup>4</sup>	Z				
UL SF	IP56	538-SWHO	Momentary	Two	SPDT DB <sup>4</sup>	Z				

<sup>1</sup>1st stage Maintained 2nd stage Momentary. <sup>2</sup>1st stage Momentary 2nd stage Maintained. <sup>3</sup>1st stage Maintained 2nd & 3rd stage Momentary. <sup>4</sup>DB Double Break models must be wired to equal voltage sources and the same polarity. The loads should be on the same sides of the line. <sup>5</sup>Dual 1/2" - 14 NPT conduit entries.

NEMA Type 2, 4 & 13 • UL ENCLOSURE 2, 4 & 13  
 CSA ENCLOSURE 2, 4 & 13  
 EN 60529 Degree of Protection IP56

DRIP TIGHT • DUST TIGHT • WATERTIGHT • OIL TIGHT

“OX” SHIELD



**MATERIALS OF CONSTRUCTION:**

- Treadle and housing constructed from cast iron for strength and durability
- Protected by a strong cast aluminum shield
- Painted Alert Orange
- Single 3/4"-14 N.P.T. threaded conduit entry is standard

**FEATURES & BENEFITS:**

- Rugged cast metal enclosure has sufficient weight to keep the switch from sliding when being operated
- All models have a neoprene cover gasket plus O-rings on the activating shaft and a separate ground screw
- In all Maintained Contact models the release is accomplished by simply pressing the latch with a light forward movement of the toe. The release is placed under the Full Shield so falling objects cannot easily release it
- 3 holes provided for rigid mounting to the floor or equipment

**OPTIONS:**

- Oversize “O” and “OX” Shield models accept oversized safety shoes and metatarsal foot guards. The “OX” Shield has an additional 3/4” (19.1 mm) opening height as compared to the “O” shield
- Dual 1/2”-14 N.P.T. threaded conduit entry and metric sizes available to the O.E.M. on special order
- Special Twin & Triple models available to the O.E.M. on special order
- AirVal models are available (See page 72 for details)
- Potentiometer models are available (See pages 60-63 for details)
- RF Wireless models are available (See page 75 for details)
- Hercules models available with cast aluminum base & covers (Except unshielded cover which is gray iron)

SPECIFICATIONS (Special variations are available to the O.E.M. on special order on the models listed below)

AGENCY APPROVALS	EN 60529 Degree of Protection	CATALOG NUMBER	DESCRIPTION	STAGE	CIRCUIT	FORM	ELECTRICAL RATINGS	REPLACEMENT PARTS
UL, cUL, CB	IP56	531-SWFOX	Momentary	Single	SPDT	C	20 A 125-250 VAC 1 H.P. 125-250 VAC Heavy Pilot Duty 250 VAC Max.	534-SS
UL, cUL, CB	IP56	571-DWFOX	Maintained	Single	SPDT	C		
UL, cUL, CB	IP56	532-SWFOX	Momentary	Single	DPDT	C		
UL, cUL, CB	IP56	572-DWFOX	Maintained	Single	DPDT	C		
UL, cUL, CB	IP56	533-SWFOX	Momentary	Single	TPDT	C		
UL, cUL, CB	IP56	573-DWFOX	Maintained	Single	TPDT	C		
UL, cUL, CB	IP56	534-SWFOX	Momentary	Two	SPDT	C		
UL, cUL, CB	IP56	574-DWFOX	Maintained	Two	SPDT	C		
UL, cUL, CB	IP56	574-DWFOX <sup>1</sup>	See Foot Note	Two	SPDT	C		
UL, cUL, CB	IP56	574-DWFOX <sup>2</sup>	See Foot Note	Two	SPDT	C		
UL, cUL, CB	IP56	535-SWFOX	Momentary	Three	SPDT	C		
UL, cUL, CB	IP56	575-DWFOX	Maintained	Three	SPDT	C		
UL, cUL, CB	IP56	575-DWFOX <sup>3</sup>	See Foot Note	Three	SPDT	C		
UL, cUL, CB	IP56	536-SWFOX	Momentary	Single	SPDT DB <sup>4</sup>	Z		
UL, cUL, CB	IP56	537-SWFOX	Momentary	Single	DPDT DB <sup>4</sup>	Z		
UL, cUL, CB	IP56	538-SWFOX	Momentary	Two	SPDT DB <sup>4</sup>	Z		
UL, cUL, CB	IP56	538-SWFOX	Momentary	Two	SPDT DB <sup>4</sup>	Z		

<sup>1</sup>1st stage Maintained 2nd stage Momentary. <sup>2</sup>1st stage Momentary 2nd stage Maintained. <sup>3</sup>1st stage Maintained 2nd & 3rd stage Momentary. <sup>4</sup>DB Double Break models must be wired to equal voltage sources and the same polarity. The loads should be on the same sides of the line.

# HERCULES OX SHIELD



SIZE (HxWxD): 5.78 x 6.03 x 9.13 In.  
 WEIGHT: 8.50 lbs.

**WARNING** SEE PRODUCT WARNING PAGE ON 109

For Dimension Drawings visit [www.linemaster.com](http://www.linemaster.com) and click on Data Sheets located under the Guides & Literature Tab

NEMA Type 1, 2, 4, & 13 • UL ENCLOSURE 1, 2, 4, & 13  
 EN 60529 Degree of Protection IP56 • IP68 Upon Request

DRIP TIGHT • DUST TIGHT • WATERTIGHT • OIL TIGHT

NO SHIELD



**MATERIALS OF CONSTRUCTION:**

- Treadle, cover and housing constructed from cast iron for strength and durability
- Painted Alert Orange
- Single 3/4"-14 N.P.T. threaded conduit entry is standard
- This switch is designed for use with variable speed motor drives and is available in selected 2 watt linear values
- Depressing the treadle rotates the potentiometer from zero to the selected maximum resistance shown below
- The treadle is spring loaded and returns to the normal position when the foot pressure is removed
- Auxiliary switch contact rated at 15 Amps 125-250 VAC can be added to the control
- The switch will operate at the beginning of the treadle stroke
- Up to 3 SPDT switches can be added and adjusted for operation at any point of the treadle stroke

**FEATURES & BENEFITS:**

- Rugged cast metal enclosure has sufficient weight to keep the switch from sliding when being operated
- All models have a neoprene cover gasket plus O-rings on the activating shaft and a separate ground screw
- 3 holes provided for rigid mounting to the floor or equipment
- Specify the maximum resistance you want

**OPTIONS:**

- Special Dual 1/2"-14 N.P.T. threaded conduit entry and metric sizes available to the O.E.M. on special order
- Hercules foot operated potentiometers are available with 5,000 Ohm or 10,000 Ohm values. Other potentiometer values are available upon request or by special order. Please contact the office for availability and pricing
- Hercules models available with cast aluminum base and covers (except unshielded cover which is gray iron)

For Dimension Drawings visit [www.linemaster.com](http://www.linemaster.com) and click on Data Sheets located under the Guides & Literature Tab

SPECIFICATIONS (Special variations are available to the O.E.M. on special order on the models listed below)  
 Replace xx in Catalog Number with value of Potentiometer in Ohms. (i.e. 500-N-5K)

AGENCY APPROVALS	EN 60529 Degree of Protection	CATALOG NUMBER	DESCRIPTION	CIRCUIT	FORM	ELECTRICAL RATINGS	REPLACEMENT PARTS
cUL, UL, US	IP56	500-N-xx	Momentary	No Auxiliary Contact	-	15 A 125-250 VAC	ALL 500 - A MODELS USE AUXILIARY SNAP SWITCH 533-F3 LSC-805-4 (5K) LSC-805-2 (10K)
cUL, UL, US	IP56	500-AN-xx	Momentary	1 Auxiliary SPDT Contact	C		
cUL, UL, US	IP56	500-A2N-xx	Momentary	2 Auxiliary Snap Switches	C		
cUL, UL, US	IP56	500-A3N-xx	Momentary	3 Auxiliary Snap Switches	C		

# HERCULES POTENTIOMETER NO SHIELD



SIZE (HxWxD): 3.16 x 4.06 x 8.38 In.  
 WEIGHT: 7.00 lbs.

**WARNING** SEE PRODUCT WARNING PAGE ON 109

NEMA Type 1, 2, 4, & 13 • UL ENCLOSURE 1, 2, 4, & 13  
EN 60529 Degree of Protection IP56 • IP68 Upon Request

DRIP TIGHT • DUST TIGHT • WATERTIGHT • OIL TIGHT

STANDARD FULL SHIELD



**MATERIALS OF CONSTRUCTION:**

- Treadle, cover and housing constructed from cast iron for strength and durability
- Protected by a strong cast aluminum shield
- Painted Alert Orange
- Single 3/4"-14 N.P.T. threaded conduit entry is standard
- This switch is designed for use with variable speed motor drives and is available in selected 2 watt linear values
- Depressing the treadle rotates the potentiometer from zero to the selected maximum resistance shown below
- The treadle is spring loaded and returns to the normal position when the foot pressure is removed
- Auxiliary switch contact rated at 15 Amps 125-250 VAC can be added to the control
- The switch will operate at the beginning of the treadle stroke
- Up to 3 SPDT switches can be added and adjusted for operation at any point of the treadle stroke

**FEATURES & BENEFITS:**

- Rugged cast metal enclosure has sufficient weight to keep the switch from sliding when being operated
- All models have a neoprene cover gasket plus O-rings on the activating shaft and a separate ground screw
- 3 holes provided for rigid mounting to the floor or equipment
- Specify the maximum resistance you want

**OPTIONS:**

- Special Dual 1/2"-14 N.P.T. threaded conduit entry and metric sizes available to the O.E.M. on special order
- Hercules foot operated potentiometers are available with 5,000 Ohm or 10,000 Ohm values. Other potentiometer values are available upon request or by special order. Please contact the office for availability and pricing
- Hercules models available with cast aluminum base and covers (Except unshielded cover which is gray iron)

For Dimension Drawings visit [www.linemaster.com](http://www.linemaster.com) and click on Data Sheets located under the Guides & Literature Tab

# HERCULES POTENTIOMETER FULL SHIELD



SIZE (HxWxD): 4.37 x 5.88 x 9.00 In.  
WEIGHT: 7.50 lbs.

**WARNING** SEE PRODUCT WARNING PAGE ON 109

NEMA Type 1, 2, 4, & 13 • UL ENCLOSURE 1, 2, 4, & 13  
EN 60529 Degree of Protection IP56 • IP68 Upon Request

DRIP TIGHT • DUST TIGHT • WATERTIGHT • OIL TIGHT

OVERSIZED FULL SHIELD



**MATERIALS OF CONSTRUCTION:**

- Treadle, cover and housing constructed from cast iron for strength and durability
- Protected by a strong cast aluminum shield
- Painted Alert Orange
- Single 3/4"-14 N.P.T. threaded conduit entry is standard
- This switch is designed for use with variable speed motor drives and is available in selected 2 watt linear values
- Depressing the treadle rotates the potentiometer from zero to the selected maximum resistance shown below
- The treadle is spring loaded and returns to the normal position when the foot pressure is removed
- Auxiliary switch contact rated at 15 Amps 125-250 VAC can be added to the control
- The switch will operate at the beginning of the treadle stroke
- Up to 3 SPDT switches can be added and adjusted for operation at any point of the treadle stroke

**FEATURES & BENEFITS:**

- Rugged cast metal enclosure has sufficient weight to keep the switch from sliding when being operated
- All models have a neoprene cover gasket plus O-rings on the activating shaft and a separate ground screw
- 3 holes provided for rigid mounting to the floor or equipment
- Specify the maximum resistance you want

**OPTIONS:**

- Special Dual 1/2"-14 N.P.T. threaded conduit entry and metric sizes available to the O.E.M. on special order
- Hercules foot operated potentiometers are available with 5,000 Ohm or 10,000 Ohm values. Other potentiometer values are available upon request or by special order. Please contact the office for availability and pricing
- Hercules models available with cast aluminum base and covers (Except unshielded cover which is gray iron)

For Dimension Drawings visit [www.linemaster.com](http://www.linemaster.com) and click on Data Sheets located under the Guides & Literature Tab

# HERCULES POTENTIOMETER O SHIELD



SIZE (HxWxD): 5.03 x 5.88 x 9.13 In.  
WEIGHT: 8.00 lbs.

**WARNING** SEE PRODUCT WARNING PAGE ON 109

SPECIFICATIONS (Special variations are available to the O.E.M. on special order on the models listed below)  
Replace xx in Catalog Number with value of Potentiometer in Ohms. (i.e. 500-H-5K)

AGENCY APPROVALS	EN 60529 Degree of Protection	CATALOG NUMBER	DESCRIPTION	CIRCUIT	FORM	ELECTRICAL RATINGS	REPLACEMENT PARTS
	IP56	500-H-xx	Momentary	No Auxiliary Contact	-		ALL 500 - A MODELS USE AUXILIARY SNAP SWITCH 533-F3 LSC-805-4 (5K) LSC-805-2 (10K)
	IP56	500-AH-xx	Momentary	1 Auxiliary SPDT Contact	C		
	IP56	500-A2H-xx	Momentary	2 Auxiliary SPDT Contacts	C	15 A 125-250 VAC 1/2 H.P. 125-250 VAC	
	IP56	500-A3H-xx	Momentary	3 Auxiliary SPDT Contacts	C		

SPECIFICATIONS (Special variations are available to the O.E.M. on special order on the models listed below)  
Replace xx in Catalog Number with value of Potentiometer in Ohms. (i.e. 500-HO-5K)

AGENCY APPROVALS	EN 60529 Degree of Protection	CATALOG NUMBER	DESCRIPTION	CIRCUIT	FORM	ELECTRICAL RATINGS	REPLACEMENT PARTS
	IP56	500-HO-xx	Momentary	No Auxiliary Contact	-		ALL 500 - A MODELS USE AUXILIARY SNAP SWITCH 533-F3 LSC-805-4 (5K) LSC-805-2 (10K)
	IP56	500-AHO-xx	Momentary	1 Auxiliary SPDT Contact	C		
	IP56	500-A2HO-xx	Momentary	2 Auxiliary Snap Switches	C	15 A 125-250 VAC 1/2 H.P. 125-250 VAC	
	IP56	500-A3HO-xx	Momentary	3 Auxiliary Snap Switches	C		

NEMA Type 1, 2, 4, & 13 • UL ENCLOSURE 1, 2, 4, & 13  
EN 60529 Degree of Protection IP56 • IP68 Upon Request

DRIP TIGHT • DUST TIGHT • WATERTIGHT • OIL TIGHT

EXTRA OVERSIZED SHIELD



**MATERIALS OF CONSTRUCTION:**

- Treadle, cover and housing constructed from cast iron for strength and durability
- Protected by a strong cast aluminum shield
- Painted Alert Orange
- Single 3/4"-14 N.P.T. threaded conduit entry is standard
- This switch is designed for use with variable speed motor drives and is available in selected 2 watt linear values
- Depressing the treadle rotates the potentiometer from zero to the selected maximum resistance shown below
- The treadle is spring loaded and returns to the normal position when the foot pressure is removed
- Auxiliary switch contact rated at 15 Amps 125-250 VAC can be added to the control
- The switch will operate at the beginning of the treadle stroke
- Up to 3 SPDT switches can be added and adjusted for operation at any point of the treadle stroke

**FEATURES & BENEFITS:**

- Rugged cast metal enclosure has sufficient weight to keep the switch from sliding when being operated
- All models have a neoprene cover gasket plus O-rings on the activating shaft and a separate ground screw
- 3 holes provided for rigid mounting to the floor or equipment
- Specify the maximum resistance you want

**OPTIONS:**

- Special Dual 1/2"-14 N.P.T. threaded conduit entry and metric sizes available to the O.E.M. on special order
- Hercules foot operated potentiometers are available with 5,000 Ohm or 10,000 Ohm values. Other potentiometer values are available upon request or by special order. Please contact the office for availability and pricing
- Hercules models available with cast aluminum base and covers (except unshielded cover which is gray iron)

For Dimension Drawings visit [www.linemaster.com](http://www.linemaster.com) and click on Data Sheets located under the Guides & Literature Tab

# HERCULES POTENTIOMETER OX SHIELD



SIZE (HxWxD): 5.78 x 6.03 x 9.13 In.  
WEIGHT: 8.25 lbs.

**WARNING** SEE PRODUCT WARNING PAGE ON 109

NEMA Type 1 • UL ENCLOSURE 1  
EN 60529 Degree of Protection IP20 • IP68 Upon Request

SPLASH RESISTANT (AVAILABLE)

LOW PROFILE ERGONOMIC DESIGN



**MATERIALS OF CONSTRUCTION:**

- Constructed of cast aluminum cover and base
- Provided with a reversible strain relief clamp that accommodates a wide range of cable sizes
- Painted black

**FEATURES & BENEFITS:**

- The low, sleek styling of this model reduces operator fatigue
- Nonskid base pads

**OPTIONS:**

- 24" wide version available on special order
- AirVal Models available on special orders

For Dimension Drawings visit [www.linemaster.com](http://www.linemaster.com) and click on Data Sheets located under the Guides & Literature Tab

# JUNIOR



SIZE (HxWxD): 1.47 x 3.25 x 5.53 In.  
WEIGHT: 1.00 lbs.

**WARNING** SEE PRODUCT WARNING PAGE ON 109

SPECIFICATIONS (Special variations are available to the O.E.M. on special order on the models listed below)  
Replace xx in Catalog Number with value of Potentiometer in Ohms. (i.e. 500-HOX-5K)

AGENCY APPROVALS	EN 60529 Degree of Protection	CATALOG NUMBER	DESCRIPTION	CIRCUIT	FORM	ELECTRICAL RATINGS	REPLACEMENT PARTS
	IP56	500-HOX-xx	Momentary	No Auxiliary Contact	-		ALL 500 - A MODELS USE AUXILIARY SNAP SWITCH 533-F3 LSC-805-4 (5K) LSC-805-2 (10K)
	IP56	500-AHOX-xx	Momentary	1 Auxiliary SPDT Contact	C		
	IP56	500-A2HOX-xx	Momentary	2 Auxiliary SPDT Contact	C	15 A 125-250 VAC 1/2 H.P. 125-250 VAC	
	IP56	500-A3HOX-xx	Momentary	3 Auxiliary SPDT Contact	C		

SPECIFICATIONS (Special variations are available to the O.E.M. on special order on the models listed below)

AGENCY APPROVALS	EN 60529 Degree of Protection	CATALOG NUMBER	DESCRIPTION	CIRCUIT	FORM	ELECTRICAL RATINGS	REPLACEMENT PARTS
	IP20	121-S	Momentary	SPDT	C	20 A 125-250 VAC 1 H.P. 125-250 VAC	534-SS
	IP20	124-S	Momentary	DPDT	C	15 A 125-250 VAC 1/2 H.P. 125-250 VAC	514-N3

NEMA Type 1 • UL ENCLOSURE 1  
EN 60529 Degree of Protection IP20

**MOTION CONTROL DEVICE**

ROCKER ACTION COMPACT DESIGN



**MATERIALS OF CONSTRUCTION:**

- Steel Housing
- Black finish
- Mechanical Interlock—prevents both circuits from being operated at the same time
- Operates on the teeter-totter principle. Pressure on one side opens or closes line, release of pressure returns switch to normal off position, pressure on other side opens or closes circuit, independent of first

**FEATURES & BENEFITS:**

- Non-skid Base pad
- Both sides can be wired normally open or normally closed
- All wiring connections are made internally with only a single cord being brought out
- Eliminates costly harness assemblies
- Offers real economy

**OPTIONS:**

- Twin version available
- Multiple cable entry locations available
- Mounting provisions can be added
- Custom labeling
- Splash resistant interior switch available

For Dimension Drawings visit [www.linemaster.com](http://www.linemaster.com) and click on Data Sheets located under the Guides & Literature Tab

# LEKTRO-LOK



SIZE (HxWxD): 1.21 x 2.75 x 5.00 In.  
WEIGHT: 10 oz.

**⚠ WARNING SEE PRODUCT WARNING PAGE ON 109**

NEMA Type 1, 2, 4, 6, 6P & 13 • UL ENCLOSURE 1, 2, 4, 6, 6P & 13  
EN 60529 Degree of Protection IP68 • Meets IEC 60601-2-2

**DRIP TIGHT • DUST TIGHT • WATERTIGHT  
CORROSION RESISTANT**

MILITARY GRADE DESIGN



**MATERIALS OF CONSTRUCTION:**

- Rugged aluminum casting is painted gray
- Piston type actuator sealed with O-rings
- 1/2"-14 N.P.T. threaded conduit entry.

**FEATURES & BENEFITS:**

- Electrical contacts are sealed in a "well"
- Corrosion resistant housing & components
- 3 mounting holes provided for rigid mounting to floor or equipment

**OPTIONS:**

- Non-skid basepads available
- Custom colors - Special Order

For Dimension Drawings visit [www.linemaster.com](http://www.linemaster.com) and click on Data Sheets located under the Guides & Literature Tab

# NAUTILUS



SIZE (HxWxD): 2.22 x 4.28 x 7.00 In.  
WEIGHT: 2.73 lbs.

**⚠ WARNING SEE PRODUCT WARNING PAGE ON 109**

SPECIFICATIONS (Special variations are available to the O.E.M. on special order on the models listed below)

AGENCY APPROVALS	EN 60529 Degree of Protection	CATALOG NUMBER	DESCRIPTION	CIRCUIT	FORM	ELECTRICAL RATINGS	REPLACEMENT PARTS
	IP20	L-2-S	Momentary	SPDT Each Side	C	10 A 125-250 VAC 1/2 H.P. 125-250 VAC	22-475-P3

SPECIFICATIONS (Special variations are available to the O.E.M. on special order on the models listed below)

AGENCY APPROVALS	EN 60529 Degree of Protection	CATALOG NUMBER	DESCRIPTION	CIRCUIT	FORM	ELECTRICAL RATINGS	REPLACEMENT PARTS
	IP68	WP-541-SC	Momentary	SPDT	C	20 A 125-250 VAC 1 H.P. 125-250 VAC 10 A 28 VDC 1/2 A 125 VDC 1/4 A 250 VDC Heavy Pilot Duty 250 VAC Max.	18-526-H
	IP68	WP-541-DC	Maintained	SPDT	C	15 A 125 VAC 10 A 250 VAC	526-CC

VARIABLE / MOMENTARY PNEUMATIC CONTROL

LONG TREADLE THROW DESIGN



MATERIALS OF CONSTRUCTION:

- Variable Flow design
- Internal Valve is constructed of a Non-Ferrous body, Stainless steel plunger and Teflon coated buna-N O-rings
- Air flows when plunger is depressed, stops flowing when plunger is released and exhausts back pressure on output side
- Air exhausts around plunger
- Versatility and Good Looks
- Cast Aluminum Housing

FEATURES & BENEFITS:

- Nonskid Base Pad
- Designed for long life operation
- Two-Way models do not exhaust back pressure
- Plunger can be depressed flush with valve body without damage to valve
- Standard 1/8-27 N.P.T. input and output ports
- Filtered and lubricated air supply is required for best operation
- Line pressure up to 150 P.S.I.

OPTIONS:

- 2-way, 3-way & Variable
- Heavy gauge steel guard available (See pages 91-94 for details)

For Dimension Drawings visit [www.linemaster.com](http://www.linemaster.com) and click on Data Sheets located under the Guides & Literature Tab

# PNEUMATIC AIRVAL CLASSIC



SIZE (HxWxD): 1.68 x 3.25 x 5.39 In.  
WEIGHT: 1.00 lb.

**WARNING** SEE PRODUCT WARNING PAGE ON 109

**WARNING** COMPRESSED AIR IS POWERFUL - ALWAYS USE CARE. MAXIMUM LINE PRESSURE UP TO 150 P.S.I.

VARIABLE/MOMENTARY PNEUMATIC CONTROL

MEDIUM DUTY GENERAL PURPOSE DESIGN



MATERIALS OF CONSTRUCTION:

- Internal Valve is constructed of a Non-Ferrous body, Stainless steel plunger and Teflon coated buna-N O-rings
- Air flows when plunger is depressed, stops flowing when plunger is released and exhausts back pressure on output side
- Air exhausts around plunger
- Operating temperature 0° to 131° F (-18° to +55° C)
- Rugged Cast Iron Housing

FEATURES & BENEFITS:

- Designed for long life operation
- Nonskid Base Pad
- Two-Way models do not exhaust back pressure
- Plunger can be depressed flush with valve body without damage to valve
- Standard 1/8-27 N.P.T. input and output ports
- Filtered and lubricated air supply is required for best operation
- Line pressure up to 150 P.S.I.
- 2 holes provided for rigid mounting to floor or equipment

OPTIONS:

- 2-way, 3-way and 4-way models available
- Heavy gauge steel guard available (See pages 91-94 for details)

For Dimension Drawings visit [www.linemaster.com](http://www.linemaster.com) and click on Data Sheets located under the Guides & Literature Tab

# PNEUMATIC AIRVAL CLIPPER



2-WAY & 3-WAY  
SIZE (HxWxD): 1.78 x 3.45 x 4.56 In.  
WEIGHT: 2.50 lbs.



4-WAY  
SIZE (HxWxD): 1.78 x 3.45 x 4.56 In.  
WEIGHT: 2.50 lbs.

**WARNING** SEE PRODUCT WARNING PAGE ON 109

**WARNING** COMPRESSED AIR IS POWERFUL - ALWAYS USE CARE. MAXIMUM LINE PRESSURE UP TO 150 P.S.I.

SPECIFICATIONS (Special variations are available to the O.E.M. on special order on the models listed below)

AGENCY APPROVALS	CATALOG NUMBER	DESCRIPTION	AIR FLOW AT 100 P.S.I.	EXHAUST AT 100 P.S.I.	OPERATING FORCE	PORTS 1/8-27 N.P.T.	REPLACEMENT PARTS
N/A	2E-30A2-S	2-Way Momentary	30 C.F.M.	NONE	2 1/2 Pounds	Interior Housing	2-30A2-SI
N/A	3E-30A2-S	3-Way Momentary	30 C.F.M.	25 C.F.M.	2 1/2 Pounds	Interior Housing	3-30A2-SI
N/A	2E-20V2-S	2-Way Variable Momentary	20 C.F.M.	NONE	2 1/2 Pounds	Interior Housing	2-20V2-SI
N/A	3E-20V2-S	3-Way Variable Momentary	20 C.F.M.	6 C.F.M.	2 1/2 Pounds	Interior Housing	3-20V2-SI

SPECIFICATIONS (Special variations are available to the O.E.M. on special order on the models listed below)

AGENCY APPROVALS	CATALOG NUMBER	DESCRIPTION	AIR FLOW AT 100 P.S.I.	EXHAUST AT 100 P.S.I.	OPERATING FORCE	PORTS 1/8-27 N.P.T.	REPLACEMENT PARTS
N/A	2C-30A2-S	2-Way Momentary	30 C.F.M.	25 C.F.M.	10 Pounds	Interior Housing	2-30A2-SI
N/A	3C-30A2-S	3-Way Momentary	30 C.F.M.	25 C.F.M.	10 Pounds	Interior Housing	3-30A2-SI
N/A	4C-30F2-S	4-Way Momentary	30 C.F.M.	25 C.F.M.	19 Pounds	Exterior Housing	4-30F2-SI

VARIABLE/MOMENTARY PNEUMATIC CONTROL

MEDIUM DUTY GENERAL PURPOSE DESIGN



MATERIALS OF CONSTRUCTION:

- Internal Valve is constructed of a Non-Ferrous body, Stainless steel plunger and Teflon coated buna-N O-rings
- Air flows when plunger is depressed, stops flowing when plunger is released and exhausts back pressure on output side
- Air exhausts around plunger
- Operating temperature 0° to 131° F (-18° to +55°C)
- Rugged Cast Iron Housing

FEATURES & BENEFITS:

- Designed for long life operation
- Nonskid Base Pad
- Two-Way models do not exhaust back pressure
- Plunger can be depressed flush with valve body without damage to valve
- Standard 1/8-27 N.P.T. input and output ports
- Filtered and lubricated air supply is required for best operation
- Line pressure up to 150 P.S.I.
- 2 holes provided for rigid mounting to floor or equipment

OPTIONS:

- 2-way, 3-way and 4-way models available
- Heavy gauge steel guard available (See pages 91-94 for details)

For Dimension Drawings visit [www.linemaster.com](http://www.linemaster.com) and click on Data Sheets located under the Guides & Literature Tab

PNEUMATIC AIRVAL CLIPPER TWIN & WIDE TREADLE



TWIN  
 SIZE (HxWxD): 1.87 x 8.38 x 4.54 In.  
 WEIGHT: 5.00 lbs.



WIDE TREADLE  
 SIZE (HxWxD): 1.87 x 7.00 x 5.50 In.  
 WEIGHT: 3.75 lbs.

**WARNING** SEE PRODUCT WARNING PAGE ON 109

**WARNING** COMPRESSED AIR IS POWERFUL - ALWAYS USE CARE. MAXIMUM LINE PRESSURE UP TO 150 P.S.I.

MOMENTARY PNEUMATIC CONTROL

VERSATILE COMPACT DESIGN



MATERIALS OF CONSTRUCTION:

- Internal Valve is constructed of a Non-Ferrous body, Stainless steel plunger and Teflon coated buna-N O-rings
- Air flows when plunger is depressed, stops flowing when plunger is released and exhausts back pressure on output side
- Air exhausts around plunger
- Strong Steel Housing

FEATURES & BENEFITS:

- Nonskid Base Pad
- Designed for long life operation
- Two-Way models do not exhaust back pressure
- Plunger can be depressed flush with valve body without damage to valve
- Standard 1/8-27 N.P.T. input and output ports
- Filtered and lubricated air supply is required for best operation
- Line pressure up to 150 P.S.I.

OPTIONS:

- Twin Version Available
- Heavy gauge steel guard available (See pages 91-94 for details)

For Dimension Drawings visit [www.linemaster.com](http://www.linemaster.com) and click on Data Sheets located under the Guides & Literature Tab

PNEUMATIC AIRVAL COMPACT



SINGLE  
 SIZE (HxWxD): 1.28 x 2.50 x 2.88 In.  
 WEIGHT: .50 lbs.



TWIN  
 SIZE (HxWxD): 1.47 x 5.75 x 2.88 In.  
 WEIGHT: 1.50 lbs.

**WARNING** SEE PRODUCT WARNING PAGE ON 109

**WARNING** COMPRESSED AIR IS POWERFUL - ALWAYS USE CARE. MAXIMUM LINE PRESSURE UP TO 150 P.S.I.

SPECIFICATIONS (Special variations are available to the O.E.M. on special order on the models listed below)

AGENCY APPROVALS	CATALOG NUMBER	DESCRIPTION	AIR FLOW AT 100 P.S.I.	EXHAUST AT 100 P.S.I.	OPERATING FORCE	PORTS 1/8-27 N.P.T.	REPLACEMENT PARTS
N/A	TWIN 3C-30A2-S	3-Way Momentary Each Pedal	30 C.F.M.	25 C.F.M.	10 Pounds	Interior Housing	3-30A2-SI
N/A	3L-30A2-S	Wide Treadle 3-Way Momentary	30 C.F.M.	25 C.F.M.	8 Pounds	Interior Housing	

SPECIFICATIONS (Special variations are available to the O.E.M. on special order on the models listed below)

AGENCY APPROVALS	CATALOG NUMBER	DESCRIPTION	AIR FLOW AT 100 P.S.I.	EXHAUST AT 100 P.S.I.	OPERATING FORCE	PORTS 1/8-27 N.P.T.	REPLACEMENT PARTS
N/A	2B-30A2-S	Single 2-Way Momentary	30 C.F.M.	25 C.F.M.	7 Pounds	Exterior Housing	2-30A2-SI
N/A	3B-30A2-S	Single 3-Way Momentary	30 C.F.M.	25 C.F.M.	7 Pounds	Exterior Housing	3-30A2-SI
N/A	TWIN 3B-30A2-S	3-Way Momentary Each Side	30 C.F.M.	25 C.F.M.	7 Pounds	Exterior Housing	

MAINTAINED/MOMENTARY PNEUMATIC CONTROL

LARGE INDUSTRIAL DESIGN



MATERIALS OF CONSTRUCTION:

- Internal Valve is constructed of a Non-Ferrous body, Stainless steel plunger and Teflon coated buna-N O-rings
- Air flows when plunger is depressed, stops flowing when plunger is released and exhausts back pressure on output side
- Air exhausts around plunger
- Plunger can be depressed flush with valve body without damage to valve
- Standard 1/8-27 N.P.T. input and output ports
- Filtered and lubricated air supply is required for best operation
- Line pressure up to 150 P.S.I.
- Robust cast iron housing

FEATURES & BENEFITS:

- Designed for long life operation
- Full shield or OX shield covering treadle
- 3 Holes provided for rigid mounting to floor or equipment

OPTIONS:

- Hercules AirVal also available as a 3-way in either single or 2-stage versions on special order
- 2 Stage models available
- Momentary and maintained versions available

For Dimension Drawings visit [www.linemaster.com](http://www.linemaster.com) and click on Data Sheets located under the Guides & Literature Tab

# PNEUMATIC AIRVAL HERCULES

4-WAY  
MODEL



SIZE (HxWxD): 4.37 x 5.87 x 9.00 In.  
WEIGHT: 7.51 lbs.

- WARNING** SEE PRODUCT WARNING PAGE ON 109
- WARNING** COMPRESSED AIR IS POWERFUL - ALWAYS USE CARE. MAXIMUM LINE PRESSURE UP TO 150 P.S.I.

VARIABLE PNEUMATIC CONTROL

LARGE LOW PROFILE OMNI-DIRECTIONAL DESIGN



MATERIALS OF CONSTRUCTION:

- Internal Valve is constructed of a Non-Ferrous body, Stainless steel plunger and Teflon coated buna-N O-rings
- Air flows when plunger is depressed, stops flowing when plunger is released and exhausts back pressure on output side
- Air exhausts around plunger
- Plunger can be depressed flush with valve body without damage to valve
- Standard 1/8-27 N.P.T. input and output ports
- Filtered and lubricated air supply is required for best operation
- Line pressure up to 150 P.S.I.
- Round nickel chrome cover

FEATURES & BENEFITS:

- Designed for long life operation
- Two-Way models do not exhaust back pressure
- Stain resistant black nitrile Non-skid Base Pad
- Operates from any direction
- Extended tubing flex protection
- Cable shroud provides additional flex protection for tubing

OPTIONS:

- Special paint finish available

For Dimension Drawings visit [www.linemaster.com](http://www.linemaster.com) and click on Data Sheets located under the Guides & Literature Tab

# PNEUMATIC AIRVAL PREMIER



SIZE (Dia. x H): 5.70 x 1.50 In.  
WEIGHT: 1.81 lbs.

- WARNING** SEE PRODUCT WARNING PAGE ON 109
- WARNING** COMPRESSED AIR IS POWERFUL - ALWAYS USE CARE. MAXIMUM LINE PRESSURE UP TO 150 P.S.I.

SPECIFICATIONS (Special variations are available to the O.E.M. on special order on the models listed below)							
AGENCY APPROVALS	CATALOG NUMBER	DESCRIPTION	AIR FLOW AT 100 P.S.I.	EXHAUST AT 100 P.S.I.	OPERATING FORCE	PORTS 1/8-27 N.P.T.	REPLACEMENT PARTS
N/A	3H-25H2-S4H	3-Way Momentary, 2 Stage	30 C.F.M.	25 C.F.M.	19 Pounds	Exterior Housing	3-25H2-SI
N/A	3H-25H2-S4HOX	3-Way Momentary, 2 Stage	30 C.F.M.	25 C.F.M.	19 Pounds	Exterior Housing	
N/A	3H-25H2-D4H	3-Way Maintained, 2 Stage	30 C.F.M.	25 C.F.M.	19 Pounds	Exterior Housing	
N/A	4H-30H2-SH	4-Way Momentary	30 C.F.M.	25 C.F.M.	19 Pounds	Exterior Housing	4-30H2-SI
N/A	4H-30H2-DH	4-Way Maintained	30 C.F.M.	25 C.F.M.	19 Pounds	Exterior Housing	
N/A	4H-30H2-SHOX	4-Way Momentary	30 C.F.M.	25 C.F.M.	19 Pounds	Exterior Housing	
N/A	4H-30H2-DHOX	4-Way Maintained	30 C.F.M.	25 C.F.M.	19 Pounds	Exterior Housing	

SPECIFICATIONS (Special variations are available to the O.E.M. on special order on the models listed below)							
AGENCY APPROVALS	CATALOG NUMBER	DESCRIPTION	AIR FLOW AT 100 P.S.I.	EXHAUST AT 100 P.S.I.	OPERATING FORCE	PORTS 1/8-27 N.P.T.	REPLACEMENT PARTS
N/A	2P-30A2-S	2-Way Momentary	30 C.F.M.	25 C.F.M.	8 to 22 Pounds	Inside Housing	2-30A2-SI
N/A	3P-30A2-S	3-Way Momentary	30 C.F.M.	25 C.F.M.	8 to 22 Pounds	Inside Housing	3-30A2-SI

NEMA Type 1 • UL ENCLOSURE 1  
EN 60529 Degree of Protection IP20 • IP68 Upon Request

**SPLASH RESISTANT (AVAILABLE)**

LARGE LOW PROFILE OMNI-DIRECTIONAL DESIGN



**MATERIALS OF CONSTRUCTION:**

- Round Nickel Chrome Cover
- Heavy Gauge Steel Base plate
- Stain resistant black nitrile Nonskid Base Pad
- The cable shroud provides additional flex protection for the cable

**FEATURES & BENEFITS:**

- Designed for long life use
- Operates From Any Direction with moderate pressure
- Extended cable Flex Protection
- Cable shroud provides additional flex protection for cable
- The internal reversible cable clamp accepts a wide range of cable sizes

**OPTIONS:**

- Custom paint finish available on cover
- AirVal models available (See page 73 for details)
- Linear models available contact Linemaster for details
- Custom Cable Available

For Dimension Drawings visit [www.linemaster.com](http://www.linemaster.com) and click on Data Sheets located under the Guides & Literature Tab

**P R E M I E R**



SIZE (Dia. x H): 5.75 x 1.50 In.  
WEIGHT: 2.00 lbs.

**WARNING SEE PRODUCT WARNING PAGE ON 109**

EN 60529 Degree of Protection IP68  
FCC

**DRIP TIGHT • DUST TIGHT • WATERTIGHT • OIL TIGHT**



**MATERIALS OF CONSTRUCTION:**

- Treadle and housing constructed from cast iron for strength and durability
- Protected by a strong cast aluminum OX-shield
- Painted Alert Orange

**FEATURES & BENEFITS:**

- Removes clutter of wires under foot
- IP68 fully submersible in water Transmitter
- IPX1 Degree of Protection for the Receiver
- Rugged cast metal enclosure has sufficient weight to keep the switch from sliding when being operated
- All models have a neoprene cover gasket plus O-rings on the activating shaft and a separate ground screw
- Heavy duty weather resistant construction for harsh environments
- Momentary actuation Contacts: single pole, double throw, up to 10 amp service
- Available in up to 3 switch functions
- Multiple systems may be used in the same vicinity at the same time
- 40 foot range of RF Transmission
- 700 hours of battery life at 50% duty cycle
- 3 (AA) batteries required for Transmitter
- 3 holes provided for rigid mounting to the floor or equipment
- Available for US and European service
- 802.15.4 Compliant
- 2.405 - 2.480 GHz, 15 Channels Available

**OPTIONS:**

- Handle option available for ease of maneuvering the foot pedal
- Receiver powered by 6 Volt Adapter
- Twin Versions Available for special order

**Certification:**

UL Listed to UL 508  
CUL investigated to C22.2 No. 14-05  
FCC ID #VPA-SP-831

For Dimension Drawings visit [www.linemaster.com](http://www.linemaster.com) and click on Data Sheets located under the Guides & Literature Tab

**R F W I R E L E S S  
H E R C U L E S**



OX COVER GUARD MODEL  
SIZE (HxWxD): 5.03 x 5.88 x 9.13 In.  
WEIGHT: 8.00 lbs.

OX COVER GUARD WITH HANDLE MODEL  
SIZE (HxWxD): 35.78 x 6.03 x 9.13 In.  
WEIGHT: 9.00 lbs.

**WARNING SEE PRODUCT WARNING PAGE ON 109**

SPECIFICATIONS (Special variations are available to the O.E.M. on special order on the models listed below)							
AGENCY APPROVALS	EN 60529 Degree of Protection	CATALOG NUMBER	DESCRIPTION	CIRCUIT	FORM	ELECTRICAL RATINGS	REPLACEMENT PARTS
	IP20	P32-S	Momentary	SPDT	C	20 A 125-250 VAC 1 H.P. 125-250 VAC	536-Q
	IP20	P31-SC3 <sup>1</sup>	Momentary	SPDT Wired N.O.	A	10 A 125 VAC 1/2 H.P. 125 VAC	22-475-P3
	IP20	P31-SC36 <sup>2</sup>	Momentary	SPDT Wired N.O.	A	10 A 125-250 VAC 1/2 H.P. 125-250 VAC	

<sup>1</sup>Supplied with 6 ft. 18/3 cord with 3 prong series plug. Green lead grounded. <sup>2</sup>Supplied with 6 ft. 18/3 cord without plug. Green lead grounded.

SPECIFICATIONS (Special variations are available to the O.E.M. on special order on the models listed below)									
AGENCY APPROVALS	EN 60529 Degree of Protection	CATALOG NUMBER	DESCRIPTION	STAGE	CIRCUIT	FORM	ELECTRICAL RATINGS		REPLACEMENT PARTS
	IP68 Transmitter IPX1 Receiver	SP-831-111000XA	Momentary, OX-Shield	Single	SPDT	C	Max. Switched Voltage: 380 VAC Max. Switched Current: 14A N.O., AC resistive; 8 amps DC Max. Switched Power: 200W, DC; 2,000V A, AC Min. Required Contact Load: 12V, 100mA VDE Contact Ratings: 8 amps, 250 VAC UL Contact Ratings: 10 amps, 240 VAC; 8 amps 24 VDC 1/3 HP, 120 VAC; 1/2 HP, 240 VAC		HANDLE 522-T35
		SP-831-111101XA		Single	DPDT	C			
		SP-831-111202XA		Single	TPDT	C			
		SP-831-111100XA	Momentary, OX-Shield with Handle	Single	SPDT	C			
		SP-831-111201XA		Single	DPDT	C			
		SP-831-111302XA		Single	TPDT	C			

Special Variations Available upon request.

SL1-SWBNO210 & SL2-SWBNO410 has  
NEMA Type 6P • UL ENCLOSURE 6P  
SL1-S, SL2-S, has NEMA Type 1 & UL ENCLOSURE 1  
EN 60529 Degree of Protection IP68 & IP10

**DRIP TIGHT • DUST TIGHT • WATERTIGHT •  
RUST PROOF • CORROSION RESISTANT**

SMALL LIGHTWEIGHT LOW PROFILE DESIGN



**MATERIALS OF CONSTRUCTION:**

- Cover & Base formed from Light Gray (PMS 427C) ABS Polymeric Material
- Non-glare finish
- Silver Alloy contacts
- SPDT, DPDT, Two-Stage, Momentary Operation Integrated adjustable strain relief clamp accommodates cord sizes from .250" Dia. to .400" Dia

**FEATURES & BENEFITS:**

- Maximum versatility, total performance in a small package
- Rustproof and corrosion Resistant
- Mounting holes provided for rigid mounting to floor and or equipment
- Non-Skid Feet
- Raised Dimples on treadle for positive traction during operation
- 10 A 125-250 VAC rating
- Designed to meet UL, CSA & CE requirements

**OPTIONS:**

- Custom colors and color matching available with quantity orders
- Fully submersible in water (IP68 Only)
- Twin & Triple models available
- Accessory base units available for configurations using multiple switches
- Heavy gauge steel guard available (See pages 91-94 for details)
- Custom connectivity options including Universal Serial Bus (USB)

For Dimension Drawings visit [www.linemaster.com](http://www.linemaster.com) and click on Data Sheets located under the Guides & Literature Tab

**SLIM-LINE**



SIZE (HxWxD): 1.05 x 2.50 x 3.48 In.  
WEIGHT: 4 oz.

**WARNING SEE PRODUCT WARNING PAGE ON 109**

NEMA Type 1 • UL ENCLOSURE 1 • CSA ENCLOSURE 1  
(T-91-SCEA, T-91-SCE, T-91-SE, TWIN T-91-SC48 ARE  
NEMA Type 1 • UL ENCLOSURE 1) EN 60529 Degree of Protection  
IP20 • IP68 Upon Request

**DRIP TIGHT • DUST TIGHT • WATERTIGHT (AVAILABLE)**

COMPACT VERSATILE LOW PROFILE DESIGN



**THE T-91-PS AND T-91-PSNC ARE LOW POWER DEVICES AND MUST BE USED ONLY IN THOSE APPLICATIONS WHERE SUITABLE DESIGN CONSTRAINTS AND SAFETY PRECAUTIONS ARE MET.**

**MATERIALS OF CONSTRUCTION:**

- Strong steel housing is painted black
- Two single models mounted on a steel base
- A divider bar between pedals which helps prevent accidental operation of both switches at one time
- All wiring between the two switches is concealed

**FEATURES & BENEFITS:**

- Nonskid base pad and foot treadle pad
- 2 Holes provided for rigid mounting to floor or equipment
- The low profile and light pressure required to operate reduces operator fatigue

**OPTIONS:**

- Special Twin, Triple & Quad baseplates with wiring channel available on special order
- Stainless Steel Model Available (See page 78 for details)
- Mounting Plate Available
- Heavy gauge steel guard available (See on pages 91-94 for details)

For Dimension Drawings visit [www.linemaster.com](http://www.linemaster.com) and click on Data Sheets located under the Guides & Literature Tab

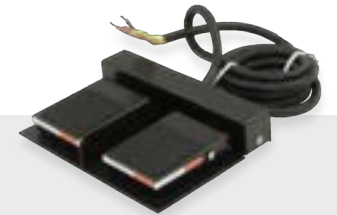
**TREADLITE II**



SINGLE

SIZE (HxWxD): 1.00 x 2.63 x 3.50 In.

WEIGHT: 7.00 oz.



TWIN WITH WIRE CHANNEL

SIZE (HxWxD): 1.38 x 7.94 x 5.56 In.

WEIGHT: 4.00 lbs.



TWIN WITHOUT WIRE CHANNEL

SIZE (HxWxD): 1.48 x 6.12 x 3.56 In.

WEIGHT: 1.50 lbs.

**WARNING SEE PRODUCT WARNING PAGE ON 109**

SPECIFICATIONS (Special variations are available to the O.E.M. on special order on the models listed below)

AGENCY APPROVALS	EN 60529 Degree of Protection	CATALOG NUMBER	DESCRIPTION	CIRCUIT	FORM	ELECTRICAL RATINGS	REPLACEMENT PARTS
	IP20	T-91-S	Single / Momentary	SPDT	C	15 A 125-250 VAC 1/2 H.P. 125-250 VAC	514-N3
	IP20	TWIN T-91-S <sup>9</sup>	Single / Momentary	SPDT Each Side	C	10 A 125-250 VAC 1/2 H.P. 125-250 VAC	524-Y5
	IP20	T-91-SC36 <sup>1</sup>	Single / Momentary	SPDT Wired N.O.	C	15 A 125-250 VAC 1/2 H.P. 125-250 VAC	514-N3
	IP20	T-91-SCEA <sup>7</sup>	Single / Momentary	SPDT Wired N.O.	C	15 A 125-250 VAC 1/2 H.P. 125-250 VAC	514-N3
	IP20	T-91-SC36A <sup>2</sup>	Single / Momentary	SPDT Wired N.O.	C	10 A 125 VAC 1/2 H.P. 125 VAC	514-N3
	IP20	T-91-SC3 <sup>4</sup>	Single / Momentary	SPDT Wired N.O.	C	15 A 125 VAC 1/2 H.P. 125 VAC	514-N3
	IP20	T-91-SC3A <sup>5</sup>	Single / Momentary	SPDT Wired N.O.	C	3 A 30 VAC Max. Class 2 Circuits Only	514-N3
	IP20	T-91-PS <sup>6</sup>	Single / Momentary	SPDT Wired N.O.	C	16 A 125-250 VAC 1/2 H.P. 125-250 VAC	524-Y5
	IP20	T-91-PSNC <sup>6</sup>	Single / Momentary	SPDT Wired N.C.	C	13 A 125-250 VAC 1/2 H.P. 125-250 VAC	514-N3
	IP20	T-91-SCE <sup>8</sup>	Single / Momentary	SPDT Wired N.O.	C		
	IP20	T-91-SE	Single / Momentary	SPDT	C		
	IP20	TWIN T-91-SC48 <sup>3</sup>	Twin / Momentary	SPDT Wired N.O. Both Sides	C		

<sup>1</sup>Supplied with 6 ft. 18/3 cord without plug. Green lead grounded. <sup>2</sup>Supplied with 6 ft. 14/3 cord without plug. Green lead grounded. <sup>3</sup>Two T-91-S models mounted on a common steel baseplate, with a wiring channel & supplied with 8 ft. 16/4 cord without plug, Green lead grounded. <sup>4</sup>Supplied with 6 ft. 18/3 cord with 3 prong series plug. Green lead grounded. <sup>5</sup>Supplied with 8 ft. 14/3 cord with 3 prong series plug. Green lead grounded. <sup>6</sup>Supplied with 8 ft. 22/1 audio cable with 2 contact .250 diameter phone plug, not grounded. <sup>7</sup>Supplied with 2 meter 18/3 cord with brown, blue & green/yellow leads. <sup>8</sup>Supplied with 2 meter 14/3 cord <sup>9</sup>Two T-91-S models mounted on common cast aluminum base, no wiring Channel

This device is of an application specific design. Please Contact LINEMASTER® for additional Information: 1-860-974-1000

AGENCY APPROVALS	EN 60529 Degree of Protection	CATALOG NUMBER	DESCRIPTION	CIRCUIT	FORM	ELECTRICAL RATINGS	REPLACEMENT PARTS
	IP10	SL1-S	Single Pedal/Momentary	SPDT	C	10 A 125-250 VAC	605-B3
	IP10	SL2-S	Single Pedal/Momentary	SPDT - 2 Stage	C	5 A 125-250 VAC	Not Field Repairable
	IP68	SL1-SWBNO210 <sup>1</sup>	Single Pedal/Momentary	SPDT	C		
	IP68	SL2-SWBNO410 <sup>2</sup>	Single Pedal/Momentary	SPDT - 2 Stage	C		

<sup>1</sup> Supplied with 10 ft., 2 conductor, 18 awg cord <sup>2</sup> Supplied with 10 ft., 4 conductor, 18 awg cord <sup>3</sup> Supplied with 10 ft., 3 conductor, 18 awg cord

NEMA Type 1, 4x, 6 & 6P • UL ENCLOSURE 1, 4x, 6 & 6P  
EN 60529 Degree of Protection IP68

DRIP TIGHT • DUST TIGHT • WATERTIGHT  
CORROSION RESISTANT (AVAILABLE)

COMPACT VERSATILE LOW PROFILE DESIGN



**MATERIALS OF CONSTRUCTION:**

- Stainless Steel housing with brushed finish

**FEATURES & BENEFITS:**

- Nonskid base pad and foot treadle pad
- The low profile and light pressure required to operate reduces operator fatigue

**OPTIONS:**

- Stainless Steel Full Guard Available (See page 93 for details)

For Dimension Drawings visit [www.linemaster.com](http://www.linemaster.com) and click on Data Sheets located under the Guides & Literature Tab

## TREADLITE II STAINLESS STEEL



SIZE (HxWxD): .85 x 2.63 x 3.50 In.  
WEIGHT: 8.00 oz.

**WARNING** SEE PRODUCT WARNING PAGE ON 109

EN 60529 Degree of Protection IPXX Master Actuator  
EN 60529 Degree of Protection IP00 Snap Switch

MOMENTARY/MAINTAINED AIR SWITCH  
ISOLATED ELECTRIC SNAP SWITCH

ERGONOMIC VERSATILE DESIGN



**MATERIALS OF CONSTRUCTION:**

- Molded PVC bulb
- Designed with isolated electrical air switch
- Combines a foot operated air bulb and a remotely located electric snap switch
- Brass fittings
- Actuating Bulb supplied with two grommet mounting holes (Standard Only)

**FEATURES & BENEFITS:**

- Easy to operate by hand or foot
- Up to 30 foot range using PVC tubing
- Isolates operation from electrically live switch
- Offers environmental protection from short or shock
- Designed for long life trouble free operation
- Simple field replacement of components
- Application versatility
- Ease of interfacing

**OPTIONS:**

- Air foot switches are also available in the Premier and Dolphin housings, as well as, a hand operated version
- Aluminum Baseplate
- DPDT Model available
- Clear reinforced tubing available

For Dimension Drawings visit [www.linemaster.com](http://www.linemaster.com) and click on Data Sheets located under the Guides & Literature Tab

## VANGUARD-AIR



**ACTUATING BULB**

SIZE (HxWxD): 1.26 x 4.59 x 2.77 In.

WEIGHT: .20 lbs.



**ACTUATING HAND BULB**

SIZE (HxWxD): 1.20 x 2.12 x 1.75 In.

WEIGHT: .15 lbs.

**WARNING** SEE PRODUCT WARNING PAGE ON 109

SPECIFICATIONS (Special variations are available to the O.E.M. on special order on the models listed below)							
AGENCY APPROVALS	EN 60529 Degree of Protection	CATALOG NUMBER	DESCRIPTION	CIRCUIT	FORM	ELECTRICAL RATINGS	REPLACEMENT PARTS
	IP68	T-91-SWANOS <sup>1</sup>	Momentary	SPST-N.O.	A	3 A 125-250 VAC	Not Field Repairable
	IP68	T-91-SWANO3S <sup>2</sup>	Momentary	SPST wired N.O.	A	3 A 125-250 VAC	
	IP68	T-91-SWANO38S <sup>3</sup>	Momentary	SPST wired N.O.	A	3 A 125-250 VAC	

<sup>1</sup>Supplied without cordset.  
<sup>2</sup>Supplied with 8 ft. 18/3 cord and 3-prong series plug, green lead grounded.  
<sup>3</sup>Supplied with 8 ft. 18/3 cord without plug, green lead grounded.

SPECIFICATIONS (Special variations are available to the O.E.M. on special order on the models listed below)								
AGENCY APPROVALS	EN 60529 Degree of Protection	CATALOG NUMBER	DESCRIPTION	CIRCUIT	FORM	OPERATING TEMPERATURE RANGE	ELECTRICAL RATINGS	REPLACEMENT PARTS
	N/A	81SH12 <sup>1</sup>	Standard Momentary	SPDT	C	10°F to 120°F <sup>2</sup>	20 A 125-250 VAC 1 H.P. 125 VAC 2 H.P. 250 VAC	981-ZZ-1
	N/A	81DH12 <sup>1</sup>	Standard Maintained					981-ZZ
	N/A	PBSH12 <sup>1</sup>	Hand Bulb Momentary	SPDT	C	10°F to 120°F <sup>2</sup>	20 A 125-250 VAC 1 H.P. 125 VAC 2 H.P. 250 VAC	981-ZZ-1

<sup>1</sup>Supplied with 8 ft. 1/8" I.D. Black PVC tubing. <sup>2</sup>The operating temperature range will vary with different lengths of tubing. Please consult the factory for details.

NEMA Type 1 • UL ENCLOSURE 1  
EN 60529 Degree of Protection IP20

**VARIABLE CONTROL POTENTIOMETER**

LONG TREADLE THROW LARGE FOOTPRINT DESIGN



**MATERIALS OF CONSTRUCTION:**

- Steel housing electro-coated black finish
- Complete with full treadle pad and nonskid base pad
- Spring return pedal action on momentary models
- Adjustable friction pad design on maintained models
- Maximum resistance must be specified when ordering

**FEATURES & BENEFITS:**

- Retrofits most welding equipment with a simple receptacle selection
- For environments where a non-watertight housing is suitable
- 2 holes provided for rigid mounting to floor or equipment
- Heel rest offered on "OH" models

**OPTIONS:**

- Custom cable lengths available
- Varior foot operated potentiometers are available with 5,000 Ohm or 10,000 Ohm values. Other potentiometer values are available upon request or by special order. Please contact the office for availability and pricing.

**ESAB • HOBART • LINCOLN • MILLER  
WELDING EQUIPMENT  
REPLACEMENT FOOT CONTROLS**

Contact LINEMASTER® for replacement foot controls for your ESAB®, Hobart®, Lincoln® or Miller® welding equipment.

For Dimension Drawings visit [www.linemaster.com](http://www.linemaster.com) and click on Data Sheets located under the Guides & Literature Tab

**VARIOR  
POTENTIOMETER**



STANDARD  
SIZE (HxWxD): 4.17 x 4.50 x 9.71 In.  
WEIGHT: 4.91 lbs.



INDUSTRIAL  
SIZE (HxWxD): 4.00 x 4.52 x 12.78 In.  
WEIGHT: 5.00 lbs.

**⚠ WARNING SEE PRODUCT WARNING PAGE ON 109**

SPECIFICATIONS (Special variations are available to the O.E.M. on special order on the models listed below)				
Replace xx in Catalog Number with value of Potentiometer in Ohms. (i.e. 09ASXP-5K)				
AGENCY APPROVALS	EN 60529 Degree of Protection	CATALOG NUMBER	DESCRIPTION	CORDSET
	IP20	09ASXP-xx	Momentary	Supplied with a 6 ft. 18/4 cordset without plug. Wired three leads to potentiometer and green lead to ground.
	IP20	09ASAC-xx	Momentary	Supplied with 6 ft. 18/6 cordset without plug, with auxiliary switch set to operate at the beginning of treadle stroke and wired N.O. Three leads to potentiometer and green lead to ground.
	IP20	0HASAC-xx	Momentary	
	IP20	0HASAA-1K	Momentary	Supplied with 25' 18/6 cordset with 14 pin plug compatible with Hobart® & Miller®
	IP20	0HASAA-5KW	Momentary	Supplied with 25' 18/6 cordset with 14 pin plug compatible with Hobart® & Miller® (NOTE: Waterproof Potentiometer)
	IP20	0HASAB-10K	Momentary	Supplied with 25' 18/6 cordset with 6 pin plug compatible with Lincoln®
	IP20	0HASAD-10K	Momentary	Supplied with 30' 18/6 cordset with 14 pin plug compatible with ESAB®

Contact  
Linemaster  
LSC-805-23  
LSC-805-6

NEMA Type  
CLASSIFIED TO IEC/UL 60601.1  
CLASSIFIED TO Can/CSA C22.2 No. 60601.1  
EN 60529 Degree of Protection IP68 (Transmitter Only)  
EN 60529 Degree of Protection IPX1 (Receiver Only)  
Meets EMC Directive EN60601-1-2  
Federal Communications Commission (FCC) Compliant

**DRIP TIGHT • DUST TIGHT • WATERTIGHT  
RUST PROOF • CORROSION RESISTANT**

DIGITAL RF WIRELESS DEVICE



**MATERIALS OF CONSTRUCTION:**

- Flip Up Covers for ease of cleaning
- Receiver Options: 1 Built in 2 External with Cable 3 Dongle
- Mode Change Switch Available
- Transmitter Foot Pedal Battery Life: Up to 4,000 hours at 50% duty cycle using standard AA Batteries
- Typical Power consumption
  - (Transmitter): Stand - by 2ua Standard Power Requirements
  - (Receiver) 6VDC @ 200 ma (other voltages optional)
- Transmitter low battery indicator
- Receiver Output: SPST realy, 0.5 amp contacts; SPDT relays optional
- Receiver Switch Activation indication(s)
- High impact plastic wiring channel and receiver housing

**FEATURES & BENEFITS:**

- 2.4 GHz
- Channel Hopping
- 802.15.4 Compliant
- Meets IEC 60601 3rd Edition
- Automatic RF power level adjustment of Transmitter
- Waterproof - IP68 degree of protection for foot pedal (Transmitter)
- IPX1 degree of protection for Receiver
- 50 foot range typical
- Typical Latency: <47ms
- Uses industry standard AA alkaline batteries
- Eliminates the need for cords
- Retrofits most existing equipment
- No product calibration required - plug and go
- Submersible transmitter foot pedal for easy cleaning
- Security: Dual Level CRC 16 plus Encrypted CRC-24 Bit

**OPTIONS:**

- Custom Versions available

Classified to IEC/UL Medical Electrical Equipment by Underwriter's Laboratories, Inc. with respect to fire, shock, and mechanical hazards in accordance with IEC/UL 60601.1

Classified with respect to electric shock, fire, mechanical, and other specified hazards only, in accordance with Can/CSA C22.2 No. 60601.1

Meets EMC Directive EN60601-1-2

This device is of an application specific design.  
Please Contact LINEMASTER® for additional Information: 1.860.974.1000

**RADIO FREQUENCY  
WIRELESS DIGITAL  
CRESCENT SINGLE**



TRANSMITTER (SWITCH)  
SIZE (HxWxD): 2.63 x 8.09 x 8.93 In.  
WEIGHT: 3.70 lbs. With Batteries



RECEIVER OPTIONS  
External, Dongle, & Built - In

**⚠ WARNING SEE PRODUCT WARNING PAGE ON 109**

For Dimension Drawings visit [www.linemaster.com](http://www.linemaster.com) and click on Data Sheets located under the Guides & Literature Tab

NEMA Type  
 CLASSIFIED TO IEC/UL 60601.1  
 CLASSIFIED TO Can/CSA C22.2 No. 60601.1  
 EN 60529 Degree of Protection IP68 (Transmitter Only)  
 EN 60529 Degree of Protection IPX1 (Receiver Only)  
 Meets EMC Directive EN60601-1-2  
 Federal Communications Commission (FCC) Compliant

**DRIP TIGHT • DUST TIGHT • WATERTIGHT  
 RUST PROOF • CORROSION RESISTANT**

DIGITAL RF WIRELESS DEVICE



**MATERIALS OF CONSTRUCTION:**

- Flip Up Covers for ease of cleaning
- Receiver Options: 1 Built in 2 External with Cable 3 Dongle
- Mode Change Switch Available
- Transmitter Foot Pedal Battery Life: Up to 4,000 hours at 50% duty cycle using standard AA Batteries
- Typical Power consumption
  - (Transmitter): Stand - by 2ua Standard Power Requirements
  - (Receiver) 6VDC @ 200 ma (other voltages optional)
- Transmitter low battery indicator
- Receiver Output: SPST realy, 0.5 amp contacts; SPDT relays optional
- Receiver Switch Activation indication(s)
- High impact plastic wiring channel and receiver housing

**FEATURES & BENEFITS:**

- 2.4 GHz
- Channel Hopping
- 802.15.4 Compliant
- Meets IEC 60601 3rd Edition
- Automatic RF power level adjustment of Transmitter
- Waterproof - IP68 degree of protection for foot pedal (Transmitter)
- IPX1 degree of protection for Receiver
- 50 foot range typical
- Typical Latency: <47ms
- Uses industry standard AA alkaline batteries
- Eliminates the need for cords
- Retrofits most existing equipment
- No product calibration required - plug and go
- Submersible transmitter foot pedal for easy cleaning
- Security: Dual Level CRC 16 plus Encrypted CRC-24 Bit

**OPTIONS:**

- Custom Versions available

Classified to IEC/UL Medical Electrical Equipment by Underwriter's Laboratories, Inc. with respect to fire, shock, and mechanical hazards in accordance with IEC/UL 60601.1

Classified with respect to electric shock, fire, mechanical, and other specified hazards only, in accordance with Can/CSA C22.2 No. 60601.1

Meets EMC Directive EN60601-1-2

**RADIO FREQUENCY  
 WIRELESS DIGITAL  
 CRESCENT TWIN**



TRANSMITTER (SWITCH)

SIZE (HxWxD): 2.63 x 14.00 x 9.41 In.

WEIGHT: 5.50 lbs. With Batteries



RECEIVER OPTIONS  
 External, Dongle, & Built - In

**WARNING** SEE PRODUCT WARNING PAGE ON 109

For Dimension Drawings visit [www.linemaster.com](http://www.linemaster.com) and click on Data Sheets located under the Guides & Literature Tab

This device is of an application specific design.  
 Please Contact LINEMASTER® for additional Information: 1.860.974.1000

NEMA Type  
 CLASSIFIED TO IEC/UL 60601.1  
 CLASSIFIED TO Can/CSA C22.2 No. 60601.1  
 EN 60529 Degree of Protection IP68 (Transmitter Only)  
 EN 60529 Degree of Protection IPX1 (Receiver Only)  
 Meets EMC Directive EN60601-1-2  
 Federal Communications Commission (FCC) Compliant

**DRIP TIGHT • DUST TIGHT • WATERTIGHT  
 RUST PROOF • CORROSION RESISTANT**

DIGITAL RF WIRELESS DEVICE



**MATERIALS OF CONSTRUCTION:**

- Flip Up Covers for ease of cleaning
- Receiver Options: 1 Built in 2 External with Cable 3 Dongle
- Mode Change Switch Available
- Transmitter Foot Pedal Battery Life: Up to 4,000 hours at 50% duty cycle using standard AA Batteries
- Typical Power consumption
  - (Transmitter): Stand - by 2ua Standard Power Requirements
  - (Receiver) 6VDC @ 200 ma (other voltages optional)
- Transmitter low battery indicator
- Receiver Output: SPST realy, 0.5 amp contacts; SPDT relays optional
- Receiver Switch Activation indication(s)
- High impact plastic wiring channel and receiver housing

**FEATURES & BENEFITS:**

- 2.4 GHz
- Channel Hopping
- 802.15.4 Compliant
- Meets IEC 60601 3rd Edition
- Automatic RF power level adjustment of Transmitter
- Waterproof - IP68 degree of protection for foot pedal (Transmitter)
- IPX1 degree of protection for Receiver
- 50 foot range typical
- Typical Latency: <47ms
- Uses industry standard AA alkaline batteries
- Eliminates the need for cords
- Retrofits most existing equipment
- No product calibration required - plug and go
- Submersible transmitter foot pedal for easy cleaning
- Security: Dual Level CRC 16 plus Encrypted CRC-24 Bit

**OPTIONS:**

- Custom Versions available

Classified to IEC/UL Medical Electrical Equipment by Underwriter's Laboratories, Inc. with respect to fire, shock, and mechanical hazards in accordance with IEC/UL 60601.1

Classified with respect to electric shock, fire, mechanical, and other specified hazards only, in accordance with Can/CSA C22.2 No. 60601.1

Meets EMC Directive EN60601-1-2

This device is of an application specific design.  
 Please Contact LINEMASTER® for additional Information: 1.860.974.1000

**RADIO FREQUENCY  
 WIRELESS DIGITAL  
 CRESCENT TRIPLE**



TRANSMITTER (SWITCH)

SIZE (HxWxD): 2.63 x 21.00 x 8.93 In.

WEIGHT: 7.50 lbs. With Batteries



RECEIVER OPTIONS  
 External, Dongle, & Built - In

**WARNING** SEE PRODUCT WARNING PAGE ON 109

For Dimension Drawings visit [www.linemaster.com](http://www.linemaster.com) and click on Data Sheets located under the Guides & Literature Tab

NEMA Type  
 CLASSIFIED TO IEC/UL 60601.1  
 CLASSIFIED TO Can/CSA C22.2 No. 60601.1  
 EN 60529 Degree of Protection IP68 (Transmitter Only)  
 EN 60529 Degree of Protection IPX1 (Receiver Only)  
 Meets EMC Directive EN60601-1-2  
 Federal Communications Commission (FCC) Compliant

**DRIP TIGHT • DUST TIGHT • WATERTIGHT  
 RUST PROOF • CORROSION RESISTANT**

DIGITAL RF WIRELESS DEVICE



**MATERIALS OF CONSTRUCTION:**

- Flip Up Covers for ease of cleaning
- Receiver Options: 1 Built in 2 External with Cable 3 Dongle
- Mode Change Switch Available
- Transmitter Foot Pedal Battery Life: Up to 2,000 hours at 50% duty cycle using standard AA Batteries
- Typical Power consumption
  - (Transmitter): Stand - by 2ua Standard Power Requirements
  - (Receiver) 6VDC @ 200 ma (other voltages optional)
- Transmitter low battery indicator
- Receiver Output: SPST realy, 0.5 amp contacts; SPDT relays optional
- Receiver Switch Activation indication(s)
- High impact plastic wiring channel and receiver housing

**FEATURES & BENEFITS:**

- 2.4 GHz
- Channel Hopping
- 802.15.4 Compliant
- Meets IEC 60601 3rd Edition
- Automatic RF power level adjustment of Transmitter
- Waterproof - IP68 degree of protection for foot pedal (Transmitter)
- IPX1 degree of protection for Receiver
- 50 foot range typical
- Typical Latency: <47ms
- Uses industry standard AA alkaline batteries
- Eliminates the need for cords
- Retrofits most existing equipment
- No product calibration required - plug and go
- Submersible transmitter foot pedal for easy cleaning
- Security: Dual Level CRC 16 plus Encrypted CRC-24 Bit

**OPTIONS:**

- Custom Wired Versions available

Classified to IEC/UL Medical Electrical Equipment by Underwriter's Laboratories, Inc. with respect to fire, shock, and mechanical hazards in accordance with IEC/UL 60601.1

Classified with respect to electric shock, fire, mechanical, and other specified hazards only, in accordance with Can/CSA C22.2 No. 60601.1

Meets EMC Directive EN60601-1-2

# RADIO FREQUENCY WIRELESS DIGITAL AERO SINGLE



**SINGLE AERO**  
 SIZE (HxWxD): 1.87 x 5.52 x 8.36 In.  
 WEIGHT: 3.00 lbs.



**WARNING SEE PRODUCT WARNING PAGE ON 109**

For Dimension Drawings visit [www.linemaster.com](http://www.linemaster.com) and click on Data Sheets located under the Guides & Literature Tab

This device is of an application specific design.  
 Please Contact LINEMASTER® for additional Information: 1.860.974.1000

NEMA Type  
 CLASSIFIED TO IEC/UL 60601.1  
 CLASSIFIED TO Can/CSA C22.2 No. 60601.1  
 EN 60529 Degree of Protection IP68 (Transmitter Only)  
 EN 60529 Degree of Protection IPX1 (Receiver Only)  
 Meets EMC Directive EN60601-1-2  
 Federal Communications Commission (FCC) Compliant

**DRIP TIGHT • DUST TIGHT • WATERTIGHT  
 RUST PROOF • CORROSION RESISTANT**

DIGITAL RF WIRELESS DEVICE



**MATERIALS OF CONSTRUCTION:**

- Flip Up Covers for ease of cleaning
- Receiver Options: 1 Built in 2 External with Cable 3 Dongle
- Mode Change Switch Available
- Transmitter Foot Pedal Battery Life: Up to 2,000 hours at 50% duty cycle using standard AA Batteries
- Typical Power consumption
  - (Transmitter): Stand - by 2ua Standard Power Requirements
  - (Receiver) 6VDC @ 200 ma (other voltages optional)
- Transmitter low battery indicator
- Receiver Output: Serial Open-Collector Variable Custom SPST realy, 0.5 amp contacts; SPDT relays optional
- Receiver Switch Activation indication(s)
- High impact plastic wiring channel and receiver housing

**FEATURES & BENEFITS:**

- 2.4 GHz
- Channel Hopping
- 802.15.4 Compliant
- Meets IEC 60601 3rd Edition
- Automatic RF power level adjustment of Transmitter
- Waterproof - IP68 degree of protection for foot pedal (Transmitter)
- IPX1 degree of protection for Receiver
- 50 foot range typical
- Typical Latency: <47ms
- Uses industry standard AA alkaline batteries
- Eliminates the need for cords
- Retrofits most existing equipment
- No product calibration required - plug and go
- Submersible transmitter foot pedal for easy cleaning
- Security: Dual Level CRC 16 plus Encrypted CRC-24 Bit

**OPTIONS:**

- Custom Versions available

Classified to IEC/UL Medical Electrical Equipment by Underwriter's Laboratories, Inc. with respect to fire, shock, and mechanical hazards in accordance with IEC/UL 60601.1

Classified with respect to electric shock, fire, mechanical, and other specified hazards only, in accordance with Can/CSA C22.2 No. 60601.1

Meets EMC Directive EN60601-1-2

This device is of an application specific design.  
 Please Contact LINEMASTER® for additional Information: 1.860.974.1000

# RADIO FREQUENCY WIRELESS DIGITAL AERO TWIN



**TWIN AERO**  
 SIZE (HxWxD): 1.92 x 11.44 x 8.42 In.  
 WEIGHT: 5.00 lbs.



**WARNING SEE PRODUCT WARNING PAGE ON 109**

For Dimension Drawings visit [www.linemaster.com](http://www.linemaster.com) and click on Data Sheets located under the Guides & Literature Tab

NEMA Type  
 CLASSIFIED TO IEC/UL 60601.1  
 CLASSIFIED TO Can/CSA C22.2 No. 60601.1  
 EN 60529 Degree of Protection IP68 (Transmitter Only)  
 EN 60529 Degree of Protection IPX1 (Receiver Only)  
 Meets EMC Directive EN60601-1-2  
 Federal Communications Commission (FCC) Compliant

**DRIP TIGHT • DUST TIGHT • WATERTIGHT  
 RUST PROOF • CORROSION RESISTANT**

DIGITAL RF WIRELESS DEVICE



**MATERIALS OF CONSTRUCTION:**

- Flip Up Covers for ease of cleaning
- Receiver Options: 1 Built in 2 External with Cable 3 Dongle
- Mode Change Switch Available
- Transmitter Foot Pedal Battery Life: Up to 2,000 hours at 50% duty cycle using standard AA Batteries
- Typical Power consumption
  - (Transmitter): Stand - by 2ua Standard Power Requirements
  - (Receiver) 6VDC @ 200 ma (other voltages optional)
- Transmitter low battery indicator
- Receiver Output: SPST realy, 0.5 amp contacts; SPDT relays optional
- Receiver Switch Activation indication(s)
- High impact plastic wiring channel and receiver housing

**FEATURES & BENEFITS:**

- 2.4 GHz
- Channel Hopping
- 802.15.4 Compliant
- Meets IEC 60601 3rd Edition
- Automatic RF power level adjustment of Transmitter
- Waterproof - IP68 degree of protection for foot pedal (Transmitter)
- IPX1 degree of protection for Receiver
- 50 foot range typical
- Typical Latency: <47ms
- Uses industry standard AA alkaline batteries
- Eliminates the need for cords
- Retrofits most existing equipment
- No product calibration required - plug and go
- Submersible transmitter foot pedal for easy cleaning
- Security: Dual Level CRC 16 plus Encrypted CRC-24 Bit

**OPTIONS:**

- Custom Versions available

Classified to IEC/UL Medical Electrical Equipment by Underwriter's Laboratories, Inc. with respect to fire, shock, and mechanical hazards in accordance with IEC/UL 60601.1

Classified with respect to electric shock, fire, mechanical, and other specified hazards only, in accordance with Can/CSA C22.2 No. 60601.1

Meets EMC Directive EN60601-1-2

# RADIO FREQUENCY WIRELESS DIGITAL AERO TRIPLE



TRIPLE AERO  
 SIZE (HxWxD): 1.93 x 17.41 x 9.07 In.  
 WEIGHT: 6.00 lbs.



RECEIVER OPTIONS  
 External, Dongle, & Built - In

**WARNING** SEE PRODUCT WARNING  
 PAGE ON 109

For Dimension Drawings visit  
[www.linemaster.com](http://www.linemaster.com) and click  
 on Data Sheets located under the  
 Guides & Literature Tab

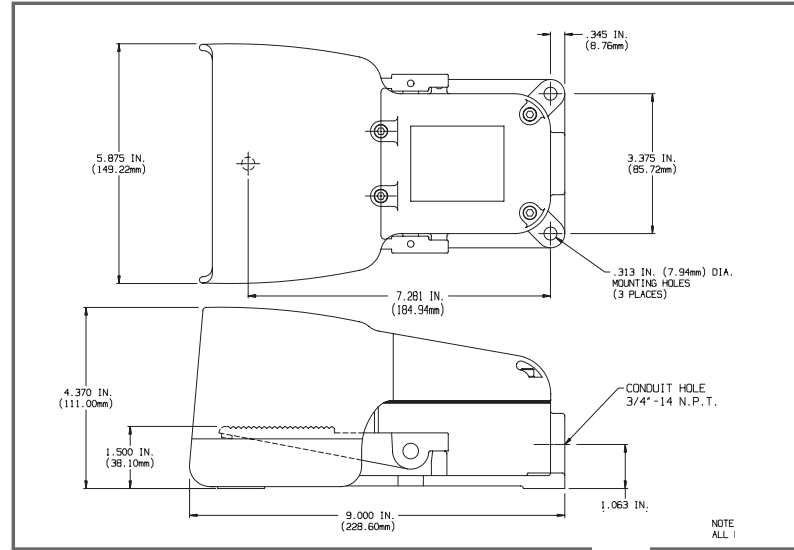
# ACCESSORIES

ORDER ONLINE TODAY

[www.linemaster.com](http://www.linemaster.com)

This device is of an application specific design.  
 Please Contact LINEMASTER® for additional Information: 1.860.974.1000

- Cast Aluminum Alloy construction
- Resistant to impact
- Opening designed to easily accommodate most footwear
- Standard color is high visibility alert orange
- Special variations available in production quantities
- Entire foot switch is covered
- Accepts wide range of foot switch models



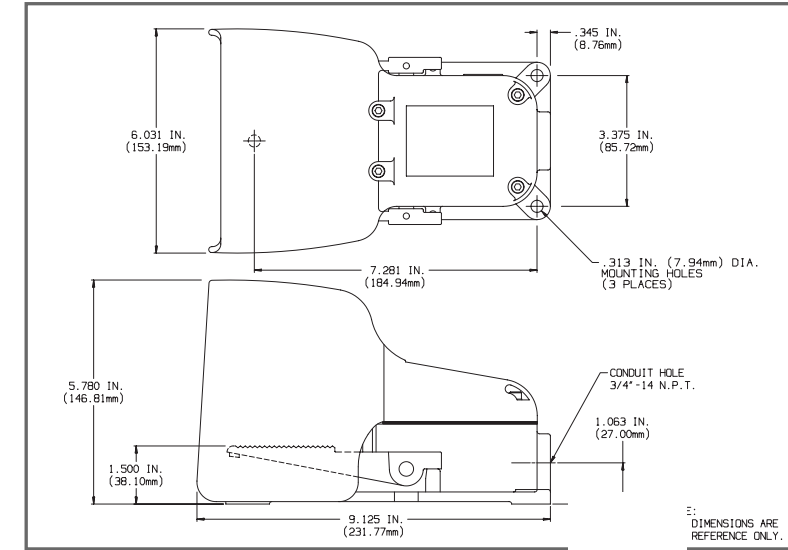
## FULL SHIELD

534-Z24



SIZE (HxWxD): 4.37 x 5.87 x 8.72 In.  
WEIGHT: 2.00 lbs.

- Cast Aluminum Alloy construction
- Resistant to impact
- Opening designed to easily accommodate most footwear
- Standard color is high visibility alert orange
- Special variations available in production quantities
- Entire foot switch is covered
- Accepts wide range of foot switch models



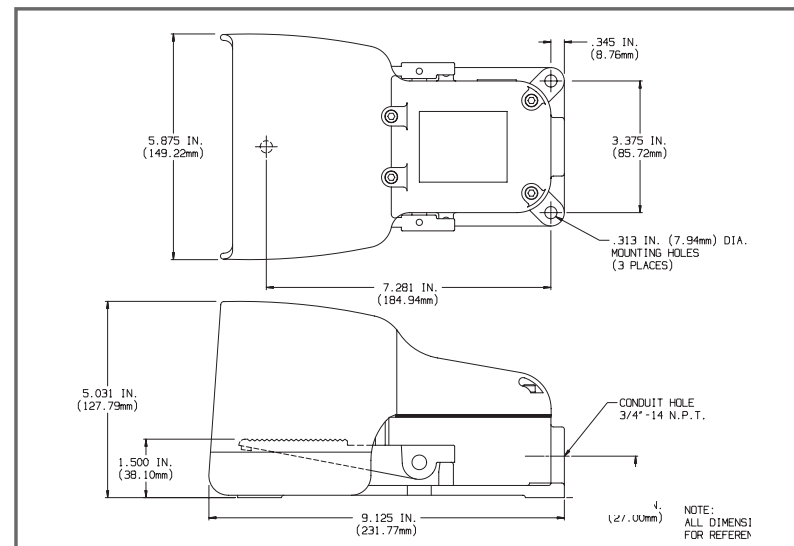
## OX SHIELD

534-B25



SIZE (HxWxD): 5.78 x 6.03 x 8.72 In.  
WEIGHT: 2.50 lbs.

- Cast Aluminum Alloy construction
- Resistant to impact
- Opening designed to easily accommodate most footwear
- Standard color is high visibility alert orange
- Special variations available in production quantities
- Entire foot switch is covered
- Accepts wide range of foot switch models



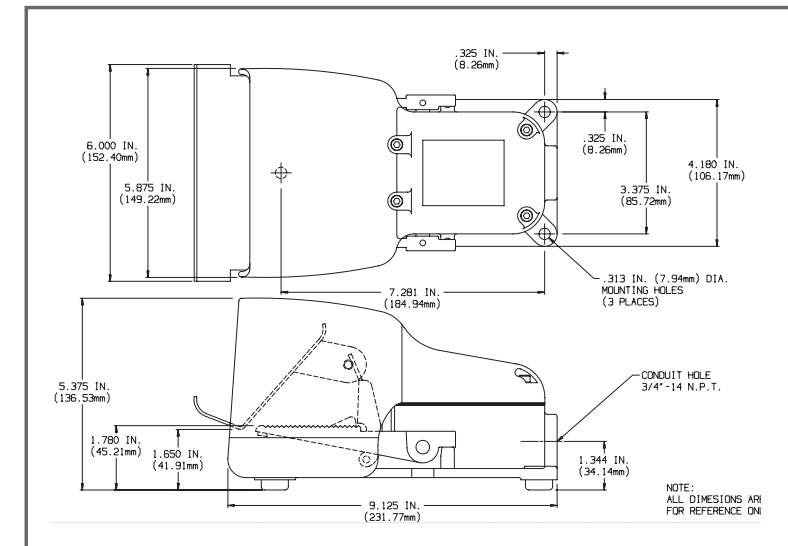
## O SHIELD

534-A25



SIZE (HxWxD): 5.03 x 6.03 x 8.72 In.  
WEIGHT: 2.25 lbs.

- Cast Aluminum Alloy construction
- Resistant to impact
- Opening designed to easily accommodate most footwear
- Standard color is high visibility alert orange
- Special variations available in production quantities
- Treadle Gate constructed of Cold Rolled Steel
- Accepts wide range of foot switch models



## GATED OVERSIZED SHIELD

534-U25

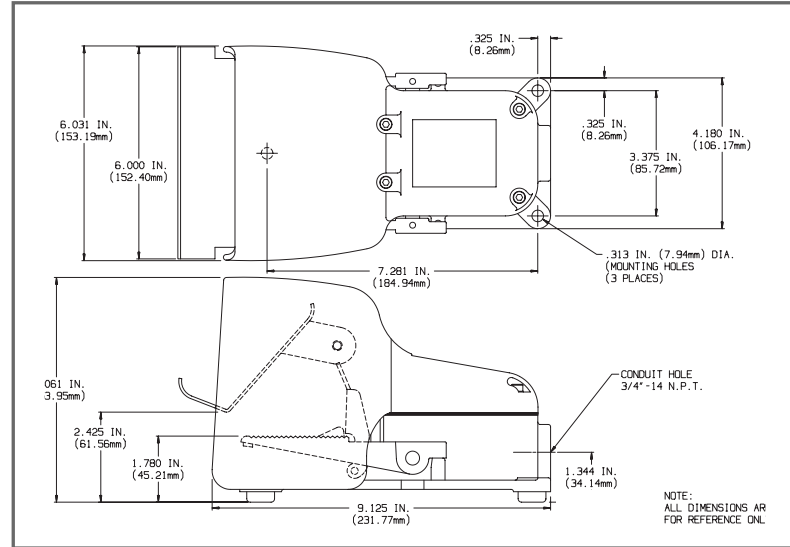


SIZE (HxWxD): 6.061 x 6.00 x 9.625 In.  
WEIGHT: 3.5 lbs.

## GATED OX SHIELD

- Cast Aluminum Alloy construction
- Resistant to impact
- Opening designed to easily accommodate most footwear
- Standard color is high visibility alert orange
- Special variations available in production quantities
- Treadle Gate constructed of Cold Rolled Steel
- Accepts wide range of foot switch models

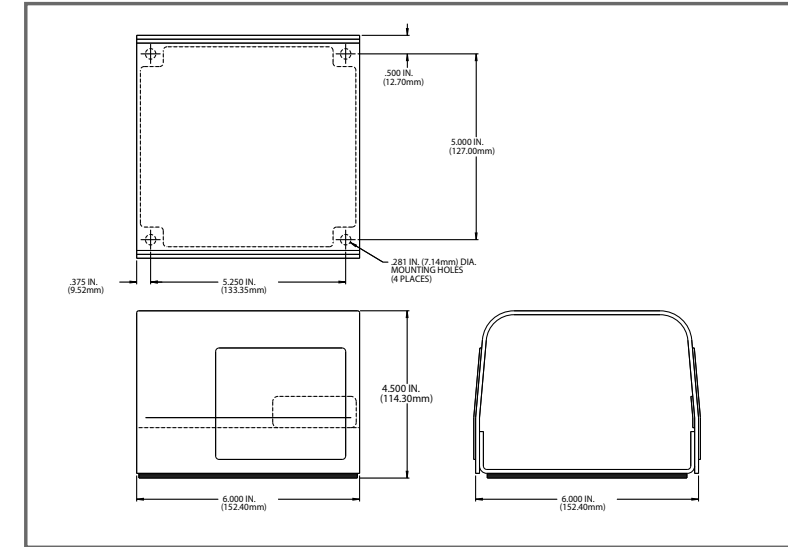
534-C25



- Heavy gage rolled steel and welded construction
- Resistant to impact
- Opening designed to easily accommodate most footwear
- Standard color is high visibility alert orange
- Special variations available in production quantities
- Complete with non-skid feet
- Entire foot switch is covered
- Accepts wide range of foot switch models

## FULL GUARD

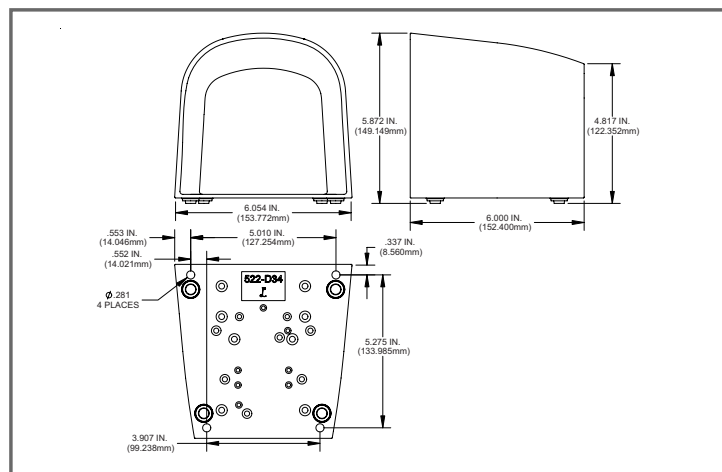
522-B14



- Alerts you to the location of the foot switch
- High Impact Plastic Material
- Accepts wide range of foot switch models
- Resistant to impact
- Ergonomic design to accommodate most footwear
- Non-corrosive material
- Exceptional value and quality
- Standard color is high visibility alert orange
- Special variations available in production quantities
- Complete with non-skid feet
- Opening is large and easy to access
- Versatile and Lightweight
- Entire foot switch is covered

## AWARENESS COVER

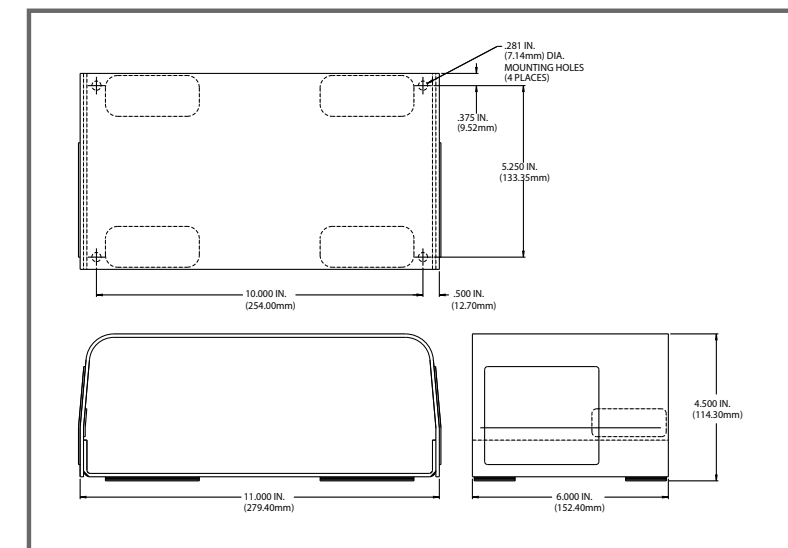
522-U37(ORANGE)  
522-U37-1(GRAY)



- Heavy gage rolled steel and welded construction
- Resistant to impact
- Opening designed to easily accommodate most footwear
- Standard color is high visibility alert orange
- Special variations available in production quantities
- Complete with non-skid feet
- Entire foot switch is covered
- Accepts wide range of foot switch models

## FULL TWIN GUARD

522-B12



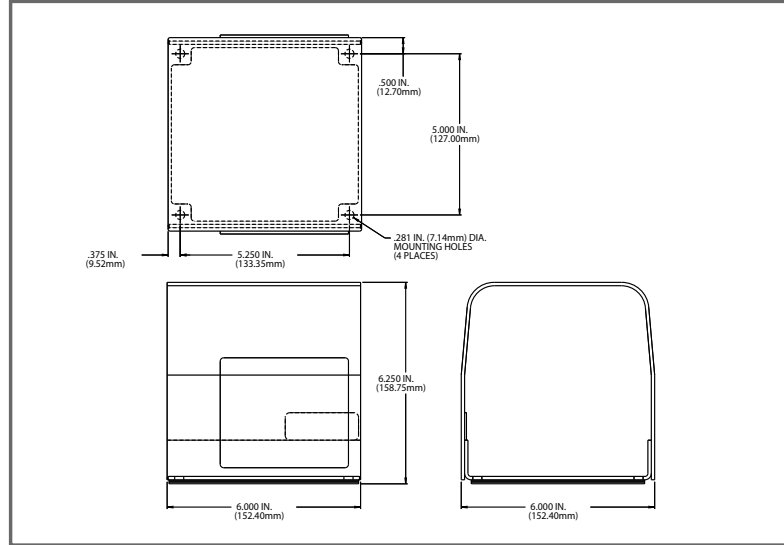
## SINGLE OVERSIZED GUARD

- Heavy gage rolled steel and welded construction
- Resistant to impact
- Opening designed to easily accommodate protective footwear
- Standard color is high visibility alert orange
- Special variations available in production quantities
- Complete with non-skid feet
- Entire foot switch is covered
- Accepts wide range of foot switch models

522-F28



SIZE (HxWxD): 6.25 x 6.00 x 6.00 In.  
WEIGHT: 5.00 lbs.



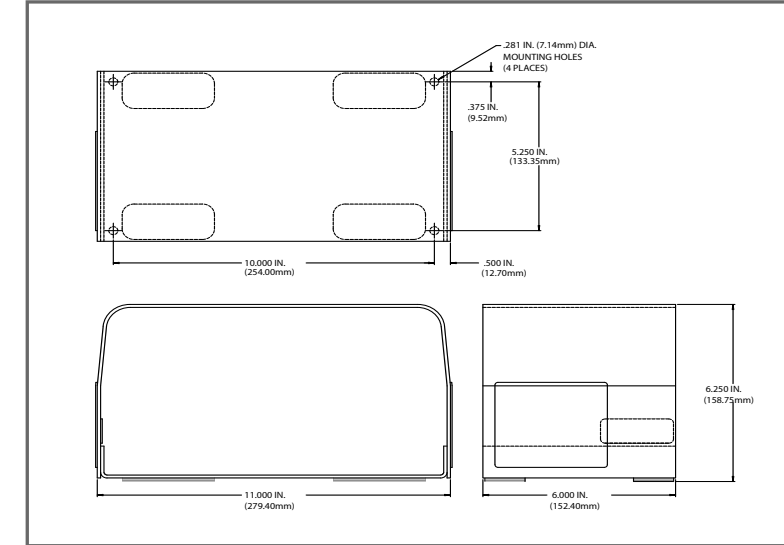
## FULL TWIN GUARD

- Heavy gage rolled steel and welded construction
- Resistant to impact
- Opening designed to easily accommodate protective footwear
- Standard color is high visibility alert orange
- Special variations available in production quantities
- Complete with non-skid feet
- Entire foot switch is covered
- Accepts wide range of foot switch models

977-B8



SIZE (HxWxD): 4.375 x 11.00 x 7.00 In.  
WEIGHT: 7.30 lbs.



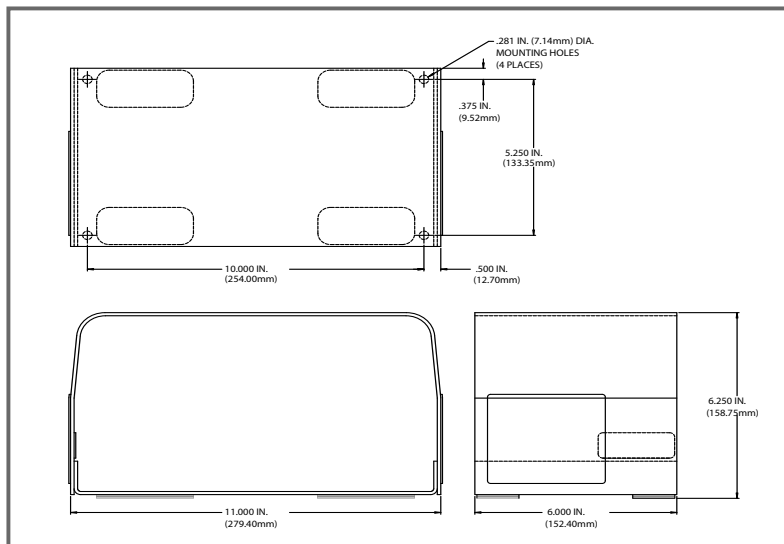
## OVERSIZED TWIN GUARD

- Heavy gage rolled steel and welded construction
- Resistant to impact
- Opening designed to easily accommodate protective footwear
- Standard color is high visibility alert orange
- Special variations available in production quantities
- Complete with non-skid feet
- Entire foot switch is covered
- Accepts wide range of foot switch models

522-D28



SIZE (HxWxD): 6.25 x 11.00 x 6.00 In.  
WEIGHT: 7.00 lbs.



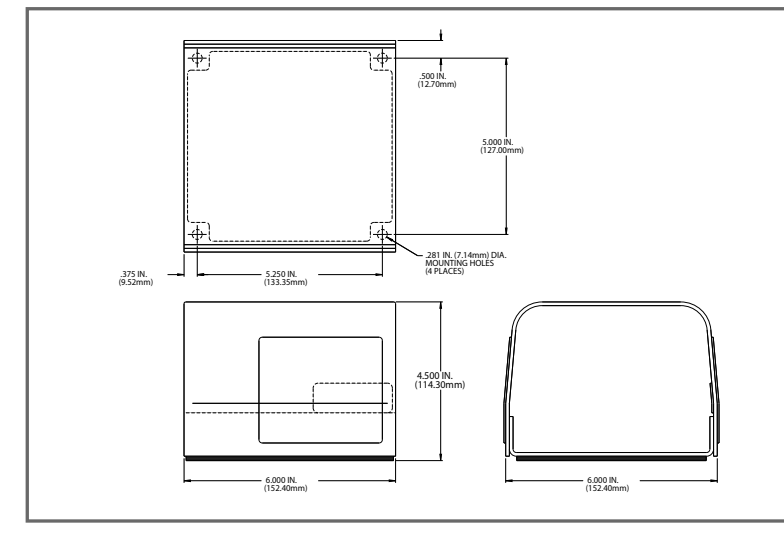
## FULL GUARD STAINLESS STEEL

- Heavy gage Brushed Stainless Steel and welded construction
- Resistant to impact
- Opening designed to easily accommodate protective footwear
- Special variations available in production quantities
- Complete with non-skid feet
- Entire foot switch is covered
- Accepts wide range of foot switch models

522-K26



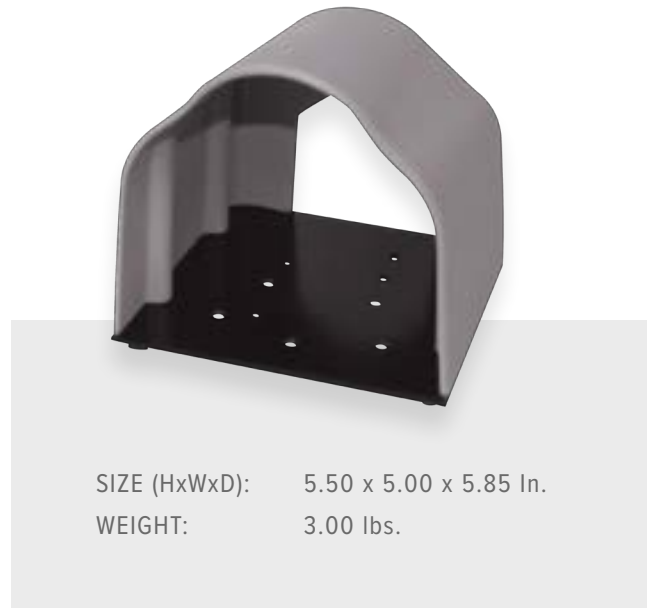
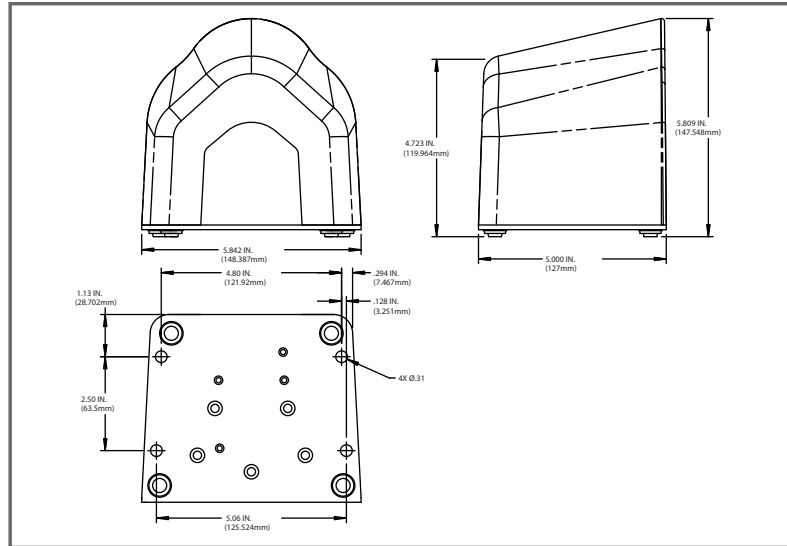
SIZE (HxWxD): 4.50 x 6.00 x 6.00 In.  
WEIGHT: 3.50 lbs.



# MEDICAL GUARD

997-Z26

- Cast Aluminum Housing with steel base plate construction
- Resistant to impact
- Opening designed to easily accommodate protective footwear
- Special variations available in production quantities
- Complete with non-skid feet
- Entire foot switch is covered
- Accepts wide range of foot switch models



SIZE (HxWxD): 5.50 x 5.00 x 5.85 In.  
WEIGHT: 3.00 lbs.

# REPLACEMENT PARTS

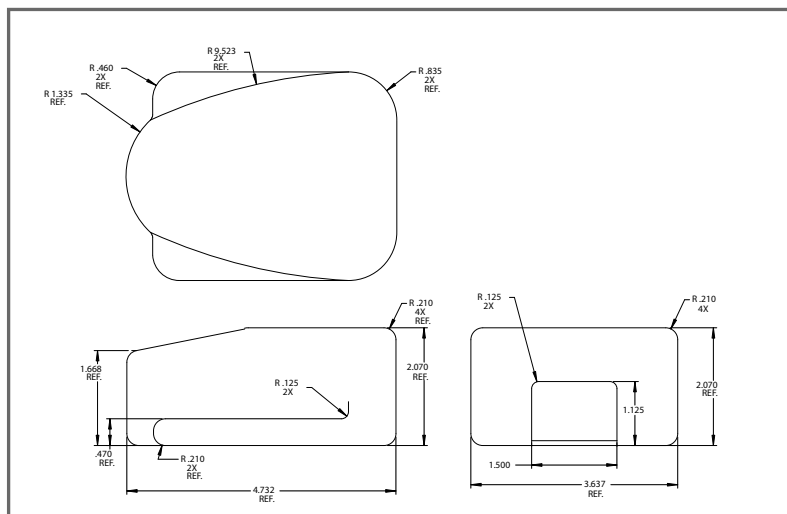
ORDER ONLINE TODAY

[www.linemaster.com](http://www.linemaster.com)

# PROTECTIVE BOOT

522-N30

- Plastisol PVC material in bright orange
- Easy to apply over Clipper & Clipper II foot switches.
- No special tools required
- Prevents materials in wet or dirty environments from entering the housing
- Not available for wide-treadle models.
- Note: Requires Modification when used with Full Guard. Please contact factory for details.



SIZE (HxWxD): 2.07 x 4.74 x 3.64 In.  
WEIGHT: 3.10 oz.

2 - 20V2 - SI



**COMPATIBLE MODELS**  
PNEUMATIC AIRVAL - CLASSIC  
2E-20V2-S

3 - 20V2 - SI



**COMPATIBLE MODELS**  
PNEUMATIC AIRVAL - CLASSIC  
3E-20V2-S

3 - 25H2 - SI



**COMPATIBLE MODELS**  
PNEUMATIC AIRVAL - HERCULES FULL SHIELD  
3H-25H2-D4H  
3H-25H2-S4H  
PNEUMATIC AIRVAL - HERCULES OX SHIELD  
3H-25H2-S4HOX

514 - N3



**COMPATIBLE MODELS**  
AQUILINE MOMENTARY METAL  
972-S 971-SM  
TWIN 971-SMC48  
AQUILINE MOMENTARY POLYMERIC  
971-S 971-SA  
971-SB 971-SC26  
971-SC26A 971-SO  
971-SY  
CLASSIC IV  
88SN1-05 88SN1B-05  
88SN2-05 TWIN 88SN1-05  
TWIN 88SN2-05

CLASSIC IV - SHIELDED

88SH1-05	TWIN 88SH1-05
88SH2-05	TWIN 88SH2-05

EXECUTIVE

72	74
----	----

JUNIOR

124-S

TREADLITE II

T-91-PS	T-91-S
---------	--------

T-91-SC3	T-91-SC36
----------	-----------

T-91-SC36A	T-91-SC3A
------------	-----------

TWIN T-91-SC48	TWIN T-91-S
----------------	-------------

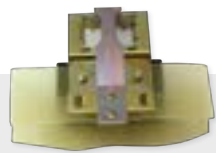
T-91-PSNC

4 - 30H2 - SI



**COMPATIBLE MODELS**  
PNEUMATIC AIRVAL - HERCULES FULL SHIELD  
4H-30H2-DH  
4H-30H2-SH  
PNEUMATIC AIRVAL - HERCULES OX SHIELD  
4H-30H2-DHOX  
4H-30H2-SHOX

533 - M - 6



**COMPATIBLE MODELS**  
CLIPPER - MAINTAINED  
634-DA

516 - Z3



**COMPATIBLE MODELS**  
CLIPPER - MOMENTARY  
638-SC38

4 - 30F2 - SI



**COMPATIBLE MODELS**  
PNEUMATIC AIRVAL - CLIPPER  
4C-30F2-S

2 - 30A2 - SI



**COMPATIBLE MODELS**  
PNEUMATIC AIRVAL - CLASSIC  
2E-30A2-S  
PNEUMATIC AIRVAL - COMPACT  
2B-30A2-S  
PNEUMATIC AIRVAL - CLIPPER  
2C-30A2-S  
PNEUMATIC AIRVAL - PREMIER  
2P-30A2-SI

3 - 30A2 - SI



**COMPATIBLE MODELS**  
PNEUMATIC AIRVAL - CLASSIC  
3E-30A2-S  
PNEUMATIC AIRVAL CLIPPER WIDE TREADLE  
3L-30A2-S  
PNEUMATIC AIRVAL - PREMIER  
3P-30A2-SI  
PNEUMATIC AIRVAL - CLIPPER  
3C-30A2-S TWIN 3C-30A2-S  
PNEUMATIC AIRVAL - COMPACT  
3B-30A2-S TWIN 3B-30A2-S

997 - G13 - 1



**COMPATIBLE MODELS**  
AQUILINE MOMENTARY - METAL  
974-SM  
AQUILINE MOMENTARY - POLYMERIC  
974-S 974-SA

994 - M



**COMPATIBLE MODELS**  
ATLAS - FULL SHIELD  
937-SWH 937-SWHC4  
ATLAS - NO SHIELD  
937-SWN 937-SWNC4  
ATLAS - O SHIELD  
937-SWHO 937-SWHOC4  
ATLAS - OX SHIELD  
937-SWHOX 937-SWHOXC4

524 - P6



**COMPATIBLE MODELS**  
AQUILINE MOMENTARY - METAL  
974-SM  
AQUILINE MOMENTARY POLYMERIC  
974-S 974-SA  
GEM-V  
GEM-V2 GEM-V36  
GEM-V3 GEM-VCEA

981 - ZZ



**COMPATIBLE MODELS**  
VANGUARD - MAINTAINED  
81DH12  
AIR SEAL - MAINTAINED  
41DH12

522 - A18



**COMPATIBLE MODELS**  
CLIPPER  
638-S

### 534 - U 6



#### COMPATIBLE MODELS

ANTI-TRIP HERCULES FULL SHIELD

511-B3	511-B4
--------	--------

511-B4A

ANTI-TRIP HERCULES GATED O SHIELD

511-B3G	511-B4GA
---------	----------

511-B4G

ANTI-TRIP HERCULES GATED OX SHIELD

511-B3OXG	511-B4OXGA
-----------	------------

511-B4OXG

ANTI-TRIP HERCULES O SHIELD

511-B3O	511-B4OA
---------	----------

511-B4O

ANTI-TRIP HERCULES OX SHIELD

511-B4OX	511-B4OXA
----------	-----------

511-B3OX

HERCULES FULL SHIELD

536-SWH	538-SWH
---------	---------

537-SWH

HERCULES NO SHIELD

536-SWN	538-SWN
---------	---------

537-SWN

HERCULES O SHIELD

536-SWHO	538-SWHO
----------	----------

537-SWHO

HERCULES OX SHIELD

536-SWHOX	538-SWHOX
-----------	-----------

537-SWHOX

### 994 - H H



#### COMPATIBLE MODELS

ATLAS - FULL SHIELD

936-SWH	936-SWHC4
---------	-----------

ATLAS - NO SHIELD

936-SWN	936-SWNC4
---------	-----------

ATLAS - O SHIELD

936-SWHO

ATLAS - OX SHIELD

936-SWHOX	936-SWHOXC4
-----------	-------------

### 981 - Z Z - 1



#### COMPATIBLE MODELS

AIR-SEAL - MOMENTARY

41SH12

VANGUARD - MOMENTARY

81SH12	PBSH12
--------	--------

### 526 - C C



#### COMPATIBLE MODELS

NAUTILUS

WP-541-DC

### 22 - 475 - P 3



#### COMPATIBLE MODELS

COMPACT

491-S	491-SC3
-------	---------

491-SC36	491-SC36MP
----------	------------

TWIN 491-S

DELUXE

85-S

DUPLEX

476-S

LEKTRO-LOK

L-2-S

PREMIER

P31-SC3	P31-SC36
---------	----------

### LSC - 805 - 23



#### COMPATIBLE MODELS

VARIOR POTENTIOMETER

OHASAA-5KW	OHASAC-5KW
------------	------------

### 18 - 526 - H



#### COMPATIBLE MODELS

NAUTILUS

WP-541-SC

### 534 - S S



#### COMPATIBLE MODELS

ANTI-TRIP HERCULES FULL SHIELD

511-B	511-B2A
-------	---------

511-B2

ANTI-TRIP HERCULES OX SHIELD

511-B2OX	511-BOX
----------	---------

511-B2OXA

ANTI-TRIP HERCULES O SHIELD

511-B2O	511-B2OAC2
---------	------------

511-B2OA	511-BO
----------	--------

ANTI-TRIP HERCULES GATED O SHIELD

511-B2G	511-BG
---------	--------

511-B2GA

ANTI-TRIP HERCULES GATED OX SHIELD

511-B2OXG	511-BOXG
-----------	----------

511-B2OXGA

CLASSIC II

78SN1	78SN2
-------	-------

CLASSIC II - SHIELDED

78SH1	78SH2
-------	-------

CLASSIC III

88SH2	TWIN 88SH2
-------	------------

88SN2	TWIN 88SN2
-------	------------

COMPACT

492-S

EXPLOSION PROOF - INDUSTRIAL 500

592-EX	597-EX
--------	--------

594-EX

EXPLOSION PROOF - INDUSTRIAL 600

602-EX	607-EX
--------	--------

604-EX

EXPLOSION PROOF - MEDICAL 500

591-EX	596-EX
--------	--------

EXPLOSION PROOF - MEDICAL 600

601-EX	606-EX
--------	--------

HERCULES - NO SHIELD

531-SWN	571-DWN
---------	---------

532-SWN	572-DWN
---------	---------

533-SWN	573-DWN
---------	---------

534-SWN	574-DWN
---------	---------

535-SWN	575-DWN
---------	---------

HERCULES - FULL SHIELD

531-SWH	572-DWH
---------	---------

531-SWHC2	573-DWH
-----------	---------

532-SWH	573-DWHC2
---------	-----------

533-SWH	574-DWH
---------	---------

533-SWHC2	574-DWHA
-----------	----------

534-SWH	574-DWHD
---------	----------

535-SWH	575-DWH
---------	---------

571-DWH	575-DWHA
---------	----------

HERCULES - O SHIELD

531-SWHO	571-DWHO
----------	----------

531-SWHOC2	572-DWHO
------------	----------

532-SWHO	573-DWHO
----------	----------

532-SWHOC2	574-DWHO
------------	----------

533-SWHO	574-DWHA
----------	----------

534-SWHO	574-DWHOD
----------	-----------

535-SWHO	575-DWHO
----------	----------

	575-DWHA
--	----------

HERCULES - OX SHIELD

531-SWHOX	573-DWHOX
-----------	-----------

532-SWHOX	574-DWHOX
-----------	-----------

533-SWHOX	574-DWHOXD
-----------	------------

534-SWHOX	574-DWHOXA
-----------	------------

535-SWHOX	575-DWHOX
-----------	-----------

571-DWHOX	575-DWHOXA
-----------	------------

572-DWHOX	
-----------	--

JUNIOR

121-S

### 522 - L 4 1



#### COMPATIBLE MODELS

CLIPPER II

911-SZA

### 965 - D 4



#### COMPATIBLE MODELS

AQUILINE MAINTAINED METAL

971-DC36JM	971-DC3JM
------------	-----------

971-DC38JM	971-DJM
------------	---------

AQUILINE MAINTAINED POLYMERIC

971-DC26J	971-DC3J
-----------	----------

971-DC28J	971-DJ
-----------	--------

### 522 - E 3 2



#### COMPATIBLE MODELS

CLIPPER - MAINTAINED

632-DA	632-DC3A
--------	----------

CLIPPER WIDE TREADLE MAINTAINED

642-DA

533-F3



COMPATIBLE MODELS

CLIPPER - MOMENTARY

635-S 636-S

TWIN 635-S

CLIPPER WIDE TREADLE  
MOMENTARY

645-S 646-S

HERCULES POTENTIOMETER

ALL 500-A MODELS

DELUXE

81-S

DELUXE II

68-S2 68-S3

68-S3N 68-S4N

605-B3



COMPATIBLE MODELS

SLIM-LINE

SL1-S SL2-S

LSC-805-6



COMPATIBLE MODELS

VARIOR POTENTIOMETER

OHASAB-10K OHASAD-10K

536-Q



COMPATIBLE MODELS

CLIPPER - MOMENTARY

632-S 632-SC3

632-SC36 TWIN 632-S

CLIPPER WIDE TREADLE -  
MOMENTARY

642-S

CLASSIC III

88SH1 88SH2

88SN1 88SN2

TWIN 88SH1 TWIN 88SH2

TWIN 88SN1 TWIN 88SN2

HI-TREADLITE

HT-52-S HT-52-SC36

TWIN HT-52-S

LSC-805-4



COMPATIBLE MODELS

HERCULES POTENTIOMETER

ALL 5K MODELS

VARIOR  
POTENTIOMETER

09ASAC-5K 09ASXP-5K

OHASAC-5K

524-Y5



COMPATIBLE MODELS

TREADLITE II

T-91-SCE T-91-SCEA

T-91-SE

LSC-805-2



COMPATIBLE MODELS

HERCULES POTENTIOMETER

ALL 10K MODELS

VARIOR POTENTIOMETER

09ASAC-10K 09ASXP-10K

OHASAC-10K

534-S



COMPATIBLE MODELS

CLIPPER - MOMENTARY

633-S

CLIPPER WIDE TREADLE

643-S

LSC-805-22



COMPATIBLE MODELS

VARIOR POTENTIOMETER

OHASAA-1K

975-X11



COMPATIBLE MODELS

VARIOR POTENTIOMETER

ALL OTHER VALUES EXCEPT 5K & 10K

# C O R D S E T S

# STOCK CORDSETS

## WITH MOLDED PLUG

Do you want to receive your LINEMASTER® foot switch complete with a cordset attached?

Do you have a requirement for a special cordset assembly?

Custom cordset service is a specialty at LINEMASTER®, that is offered to the Original Equipment Manufacturer's specifications. Whether it be with one of our molded-on plugs or an attached type connector by another manufacturer, we will be happy to submit a quotation. We will also use any cable, as specified by the customer. If you have requirements for a special cordset, please consider LINEMASTER® as your source and give us your complete specifications.

The selection of an interfacing connector should not precede the selection of the cable. The abuse factor may require that a heavier cable construction type be selected that can be accommodated in a desired interfacing connector. A small size connector may be desirable, but not at the price of unnecessary field problems due to an unsuitable cable selection.

Another design consideration is that the cable be provided with a suitable strain relief where the cable enters the foot switch housing. For most non-watertight applications, LINEMASTER® offers a high quality, molded on, cable strain relief grommet. When adjustable, two screw, cable clamps are used, a flexible bushing can be added over the cable, when required to give added cable strain relief connector should be specified to maintain the integrity of the watertight seal where the cable enters the foot switch housing.

REPLACEMENT CABLES	IMAGE	CATALOG NUMBER	LGTH (FT.)	GAUGE	MATERIAL	COLOR	MAX. CABLE DIA. (IN)	COMPATIBLE SOCKET
		SF-524-M	6	18-3	SJT	Black	.314	Any Standard 3 Prong 125 VAC Wall Receptacle
		SF-515-P34	8	18-3	SJT		.312	
		SF-536-P	8	16-3	SJT		.331	
		SF-522-Q17	8	14-3	SJT		.355	
		SF-965-JJ	8	22-1	PVC Jacket Shielded Audio	Black	.315	Any Standard 2 Contact .250 dia. Miniature phone plug receptacle
		SF-515-D16	8	22-1	PVC Jacket Shielded Audio	Black	.150	Any Standard 2 Contact .140 dia. Miniature phone plug receptacle
		SF-515-A10	8	22-1	PVC Jacket Shielded Audio	Black	.150	Any Standard 2 Contact .097 dia. Miniature phone plug receptacle

# CORD INFORMATION

Custom cordset service is a specialty at LINEMASTER®, that is offered to the Original Equipment Manufacturer on a direct basis. Special cordsets are available to the O.E.M. as a separate item or as part of a complete foot switch assembly.

LINEMASTER® will manufacture special cordsets to the Original Equipment Manufacturer's specifications. Whether it be with one of our molded-on plugs or an attached type connector by another manufacturer, we will be happy to submit a quotation. We will also use any cable, as specified by the customer. If you have requirements for a special cordset, please consider LINEMASTER® as your source and give us your complete specifications.

The selection of an interfacing connector should not precede the selection of the cable. The abuse factor may require that a heavier cable construction type be selected that can be accommodated in a desired interfacing connector. A small size connector may be desirable, but not at the price of unnecessary field problems due to an unsuitable cable selection.

Another design consideration is that the cable be provided with a suitable strain relief where the cable enters the foot switch house. For most non-watertight applications, LINEMASTER® offers a high quality, molded on, cable strain relief grommet. When adjustable, two screw, cable clamps are used, a flexible bushing can be added over the cable, when required to give added cable strain relief or flex protection. In watertight applications, a properly sized, watertight, cable strain relief connector should be specified to maintain the integrity of the watertight seal where the cable enters the foot switch housing.

CORD TYPE	JACKET MATERIAL	AWG SIZE	ELECTRICAL RATING IN AMPERES	UL/CSA DIA. RANGE (IN)	APPLICATIONS
300 Volt	SJT-plastic SJO-neoprene SJTO-plastic	18-2	10	.280-.315	Sound equipment, small motors, tools, medical & dental equipment, office machines, tape recorders, and other small appliances. Widely used on foot switches.
		18-3	10	.300-.335	
		18-4	7	.325-.365	
		16-2	13	.305-.340	SJO (Neoprene) or SJTO (Plastic) cord is used where cord must resist oil, acid, and grease.
		16-3	13	.325-.360	
		16-4	10	.350-.395	
300 Volt	SVT-plastic SVO-neoprene SVTO-plastic	18-2	10	.220-.255	Office equipment (dictating machines) and other light duty requirements. SVO (Neoprene) or SVTO (Plastic) cord is used where cord must resist oil, acid, and grease.
		18-3	10	.230-.265	
		18-4	7	.250-.290	
600 Volt	ST-plastic SO-neoprene STO-plastic	18-2	10	.340-.385	Heavy duty service when subjected to extra hard usage, heavy tools, medical & dental equipment, and other heavy duty applications.
		18-3	10	.360-.400	
		18-4	7	.385-.430	
		16-2	13	.365-.410	
		16-3	13	.385-.430	SO (Neoprene) or STO (Plastic) cord is used where cord must resist oil, acid, and grease.
		16-4	10	.410-.460	
		14-2	18	.495-.550	
		14-3	18	.520-.575	Note: ST (Plastic) cord is slightly smaller in diameter than SO (Neoprene) or S (Rubber) cord.
		14-4	13	.560-.620	

# IP RATINGS

## IP EXPLANATION AND RATINGS

EN 60529 outlines an international classification system for the sealing effectiveness of enclosures of electrical equipment against the intrusion into the equipment of foreign bodies (i.e. tools, dust, fingers) and moisture. This classification system utilizes the letters "IP" ("Ingress Protection") followed by two or three digits. (A third digit is sometimes used. An "x" is used for one of the digits if there is only one class of protection; i.e. IPX4 which addresses moisture resistance only.)

## DEGREES OF PROTECTION - FIRST DIGIT

The first digit of the IP code indicates the degree that persons are protected against contact with moving parts (other than smooth rotating shafts, etc.) and the degree that equipment is protected against solid foreign bodies intruding into an enclosure.

- 0 No special protection
- 1 Protection from a large part of the body such as a hand (but no protection from deliberate access); from solid objects greater than 50mm in diameter.
- 2 Protection against fingers or other object not greater than 80mm in length and 12mm in diameter.
- 3 Protection from entry by tools, wires, etc., with a diameter of thickness greater than 1.0mm.
- 4 Protection from entry by solid objects with a diameter or thickness greater than 1.0mm
- 5 Protection from the amount of dust that would interfere with the operation of the equipment.
- 6 Dust tight.

## DEGREES OF PROTECTION - SECOND DIGIT

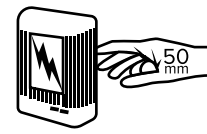
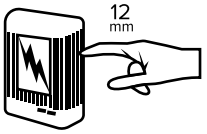
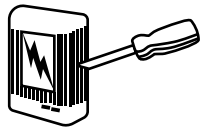
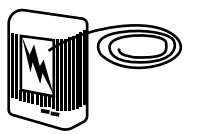
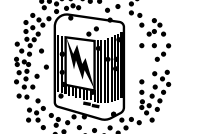
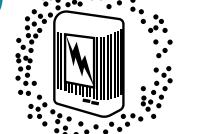
The second digit indicates the degree of protection of the equipment inside the enclosure against the harmful entry of various forms of moisture (e.g. dripping, spraying, submersion, etc.)

- 0 No special protection
- 1 Protection from dripping water.
- 2 Protection from vertically dripping water.
- 3 Protection from sprayed water.
- 4 Protection from splashed water.
- 5 Protection from water projected from a nozzle
- 6 Protection against heavy seas, or powerful jets of water.
- 7 Protection against immersion.
- 8 Protection against complete, continuous submersion in water.





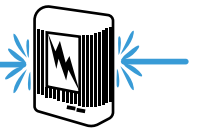



Submersion depth and time must be specified by the end-user. The requirement must be more onerous than IP67

# IP RATINGS CHART

## SOLIDS

1		Protected against a solid object greater than 50mm, such as a hand
2		Protected against a solid object greater than 12.5mm, such as a finger
3		Protected against a solid object greater than 2.5mm, such as a screwdriver
4		Protected against a solid object greater than 1.0mm, such as a wire
5		Dust Protected. Limited ingress of dust permitted
6		Dust Tight. Zero ingress of dust permitted

## WATER

1		Protected against vertically falling drops of water. Limited ingress permitted
2		Protected against vertically falling drops of water w/ enclosure tilted 15° from vertical. Limited ingress permitted
3		Protected against sprays to 60° from the vertical. Limited ingress permitted
4		Protected against water splashed from all directions. Limited ingress permitted
5		Protected against jets of water. Limited ingress permitted
6		Protected against jets of water. Limited ingress permitted
7		Protected against the effect of immersion between 15cm and 1m
8		Protected against long periods of immersion under pressure

Rating Example:

**IP65**

INGRESS PROTECTION

# AGENCY MARKINGS & APPROVALS

SYMBOL	COUNTRY	DESCRIPTION
	Switzerland	SEV Accepted Schweizerischer Electrotechnischer Verein (SEV) is the certification agency for Switzerland. The recognized association for Swiss standards is the Swiss Standards Association (SEV). The SEV has adopted IEC standards almost without exception. The SEV mark molded into a plug or connector indicates that a product has been tested and approved for use in Switzerland. All products to be sold in Switzerland must bear this mark.
	Europe	AP Marked For anesthesia products utilized in anesthesia areas apply special requirements. For these extremely sensible range of use we offer control devices suitable as approved anesthesia product for surgical applications (class AP). This is documented with the AP mark. On medical equipment, to mark a category AP equipment complying with IEC Publication 601 which also specifies the way in which this symbol has to be used.
	Europe	CE MARKED CE Marking on a product is a manufacturer's declaration that the product complies with the essential requirements of the relevant European health, safety and environmental protection legislation, in practice by many of the so-called Product Directives.
	Canada	CSA Certified A CSA mark on its own, without indicators, means that the product is certified primarily for the Canadian market, to the applicable Canadian standards. If a product has features from more than one area, (e.g. electrical equipment with fuel burning features), the mark indicates compliance to all applicable Standards.
	Denmark	DEMKO Recognized Component UL International Demko A/S certificate and the D-Mark The D-Mark signals to consumers, retailers, insurers and authorities that a reputable, independent third-party and European National Certification body has tested the product to appropriate international, electrical safety standards. The D-Mark is a voluntary safety mark registered and provided by UL-Demko. It has been in use for more than 70 years and is a familiar symbol to consumers as well as retailers and manufacturers in Europe.
	Germany	TUV BAUART TUV is NRTL (Nationally Recognized Testing Laboratory) and SCC certified, providing a full suite of services, including CE Marking assistance, electromagnetic compatibility (EMC), electrical & mechanical testing, and many additional global conformity assessment services that help companies gain product compliance to enter individual country markets.
	United States	UL Mark / UL Listing Mark This is one of the most common UL Marks. If a product carries this Mark, it means UL found that representative samples of this product met UL's safety requirements. These requirements are primarily based on UL's own published Standards for Safety. This type of Mark is seen commonly on appliances and computer equipment, furnaces and heaters, fuses, electrical panelboards, smoke and carbon monoxide detectors, fire extinguishers and sprinkler systems, personal flotation devices like life jackets and life preservers, bullet resistant glass, and thousands of other products.
	United States & Canada	UL Mark for Canada and the United States C-UL US Listing Mark UL introduced this new Listing Mark in early 1998. It indicates compliance with both Canadian and U.S. requirements. The Canada/U.S. UL Mark is optional. UL encourages those manufacturers with products certified for both countries to use this new, combined Mark, but they may continue using separate UL Marks for the United States and Canada.
	United States	UL Recognized Component Mark Recognized Component Mark This is a mark consumers rarely see because it is specifically used on component parts that are part of a larger product or system. These components may have restrictions on their performance or may be incomplete in construction. The Component Recognition marking is found on a wide range of products, including some switches, power supplies, printed wiring boards, some kinds of industrial control equipment and thousands of other products.
	United States & Canada	UL Recognized Component Mark for Canada and the United States Recognized Component Mark for Canada and the United States This new UL Recognized Component Mark, which became effective April 1, 1998, may be used on components certified by UL to both Canadian and U.S. requirements. Although UL had not originally planned to introduce a combined Recognized Component Mark, the popularity of the Canada/U.S. Listing and Classification Marks among clients with UL certifications for both Canada and the United States has led to the new Mark.
	International	Symbol for WEEE Compliance The WEEE Directive 2002/96/EC, was issued by the European Union in 2003 to minimize the impact of electrical and electronic equipment on the environment throughout their life cycle including when they become waste. It makes producers of WEEE responsible for financing the collection, treatment, recycling and recovery of electrical and electronic equipment waste. Equipment includes, but is not limited to, information technology and telecommunications equipment, household appliances, lighting equipment, electrical and electronic tools, etc. European Union member countries are in the process of implementing measures to comply with this directive.
	International	RoHS RoHS stands for Restriction of the use of certain Hazardous Substances in Electrical and Electronic Equipment. In conjunction with the WEEE directive, the European Union issued directive 2002/95/EC on the restriction of the use of certain hazardous substances in electrical and electronic equipment. In summary, this directive bans or in some situations limits the following toxic chemicals after the 1st of July 2003: lead, mercury, cadmium, hexavalent chromium, polybrominated biphenyls (PBB) or polybrominated diphenyl ethers (PBDE).
	United States	Food & Drug Administration US Federal Government agency whose mission is "to promote and protect the public health by helping safe and effective products reach the market in a timely way, and monitoring products for continued safety after they are in use."
	United States	The Federal Communications Commission The Federal Communications Commission regulates interstate and international communications by radio, television, wire, satellite and cable in all 50 states, the District of Columbia and U.S. territories.
	United States	The ETL Listed Mark is proof of product compliance (electrical, gas and other safety standards) to North American safety standards. A product bearing the ETL Listed Mark is determined to have met the minimum requirements of prescribed product safety standards. Moreover, the mark indicates that the manufacturer's production site conforms to a range of compliance measures and is subject to periodic follow-up inspections to verify continued conformance.

# GLOSSARY OF TERMS

TERM	DESCRIPTION
DB	Double Break A form of contact construction in which a current carrying member bridges a gap in an otherwise complete circuit, thus breaking the current at two adjacent points, one at each end of the bridging member. This breaks the circuit in two places. Also referred to as form Z circuitry.
NC	Normally Closed In normally closed (N.C) contact blocks, the contacts are "at rest" in the closed (on) position, allowing current to pass through. The contacts open only when the plunger goes down and separates them.
NO	Normally Open Normally open (N.O) means that contacts are "at rest" in the open (off) position, and current does not pass through. The contacts close only when the plunger goes down and forces them together.
MBB	Make before Break In a multi-throw switch, the new contact is made before the old contact is broken. This is known as make-before-break, and ensures that the moving contact never sees an open circuit.
BBM	Break before Make In a multi-throw switch, the old contact is broken before the new one is made. This is known as break-before-make, and ensures that the two fixed contacts are never shorted to each other.
Hall Effect Sensor	A Hall Effect sensor is a transducer that varies its output voltage in response to changes in magnetic field. Hall sensors are used for proximity switching, positioning, speed detection, and current sensing applications.
Maintained	Press - on, Press again - off. When a maintained action switch is actuated, the contacts move to transfer the circuits to the second set of contacts. No change takes place with the contacts when the operator removes his or her foot even though the actuator, treadle or cover, has returned to the original position. When the operator actuates the switch a second time, the contacts returns to the original position.
Momentary	Press - on, release - off. When a momentary action switch is actuated, the actuating device, treadle or cover, and contacts move to transfer the circuits to a second set of contacts. When the actuating force is removed, the actuating device and the contacts return to the original position.
Reed Switch	The reed switch is an electrical switch operated by an applied magnetic field. It was invented at Bell Telephone Labs in 1936 by W.B. Elwood. It consists of a pair of contacts on ferrous metal reeds in a hermetically sealed glass envelope. The contacts may be normally open, closing when a magnetic field is present, or normally closed and opening when a magnetic field is applied.
Variable	The present popular usage of the term potentiometer (or 'pot' for short) describes an electrical device which has a user-adjustable resistance. Usually, this is a three-terminal resistor with a sliding contact in the center (the wiper). If all three terminals are used, it can act as a variable voltage divider. If only two terminals are used (one side and the wiper), it acts as a variable resistor.

CIRCUIT	BRITISH MAIN WIRING NAME	AMERICAN MAIN WIRING NAME	DESCRIPTION	SYMBOL	IEC 60617
SPST	One Way	Two Way	<b>Single Pole Single Throw</b> A simple on-off switch: The two terminals are either connected together or not connected to anything.		
SPDT	Two Way	Three Way	<b>Single Pole Double Throw</b> A simple changeover switch: C (Common) is connected to L1 or to L2.		
DPST	Double Pole	Double Pole	<b>Double Pole Single Throw</b> Equivalent to two SPST switches controlled by a single mechanism		
DPDT			<b>Double Pole Double Throw</b> A term used to describe a switch or relay output contact Form (Form CC) in which two separate switches are operating simultaneously, each with a normally open and normally closed contact and common connection. This form is used to make and break to separate circuits.		
TPDT			Triple Pole Double Throw		

EXAMPLE OF CIRCUIT DESCRIPTIONS					
CIRCUIT	TREADLE UP	TREADLE DOWN	CIRCUIT	TREADLE UP	TREADLE DOWN
SPDT			SPDT DB (Double Break)		

Switches with larger numbers of poles or throws can be described by replacing the "S" or "D" with a number or in some cases the letter T (for triple).



**MISSION STATEMENT**

Linemaster Switch Corporation's mission is to provide a superior foot switch at an affordable price without compromise.

**QUALITY POLICY**

"We are committed to provide the highest standard quality products and services that will meet or exceed our Customers' requirements, comply with regulatory requirements, and to maintain and improve the effectiveness of the quality management system."

**COMMITMENT STATEMENT**

Linemaster is committed to continuously improving the effectiveness of the quality management system through the establishment and monitoring of relevant quality goals and metrics throughout the organization. We will strive for the improvement of product quality, the reduction in quality cost, and the increase in productivity and efficiency. Basic principle is that all departments and individuals have responsibilities in ensuring that their job is done correctly and the product is built right the first time and every time thereafter. Our program emphasizes preventive efforts and systems.

We endorse the concepts, policies, and elements described in the system, and will monitor the performance throughout the organization and through periodic reviews of the quality management system by Linemaster management.

**LINEMASTER D&I MISSION STATEMENT:**

To create the highest possible level of Diversity & Inclusion in our organization, we will strive for best practices in the following areas:

- fair treatment
- equal access to opportunity
- teamwork and collaboration
- a focus on innovation and creativity
- organizational flexibility and responsiveness
- conflict resolution processes that are collaborative
- evidence of leadership's commitment to diversity
- representation of diversity at all levels of the organization

Living our core values and embracing the principles of Diversity & Inclusion is the responsibility of every employee.



**USE OF FOOT CONTROLS ON MACHINERY LACKING EFFECTIVE POINT OF OPERATION SAFEGUARDS CAN CAUSE SERIOUS INJURY TO THE OPERATOR.**

Foot controls should only be used where "Point of Operation" and "Pinch Point" guarding devices have been properly installed and are utilized so that it is IMPOSSIBLE for the operator's hands or fingers to remain within the point of operation during the machine cycle.

**POINT OF OPERATION** - The point or area of the machine or equipment where the work piece or material is actually positioned and work is being performed during any process such as cutting, shearing, punching, forming, welding, riveting, assembling, etc.

**PINCH POINT** - Any point at which it is possible for a portion of the body to be caught and injured between moving machine or equipment or work piece parts.

**IT IS THE RESPONSIBILITY OF THE USER** - to determine the suitability of a foot control for the user's intended use and to determine that the foot control chosen by the user and wiring up and installation of same will comply with all Federal, State and Local safety and health regulations and codes.

Due to the unlimited variety of business equipment, instruments, machines and vehicles on which our foot switches are used, the thousands of standards, and customers' varying interpretations of the standards covering these applications, it is impossible for LINEMASTER® personnel to be experts on standards and requirements for all these products. We offer over 550 stock foot switch models and guards plus a large variety of specials which are made to customer specifications. We can advise you what is available in our foot switch line and you can examine models to see what meets your needs. We believe our customers' engineering departments should be the qualified experts in their own product field and know what specifications or details they may require in a foot switch for their equipment. If one of our stock models meets their needs, they can specify it, or possibly ask for a modification of a stock model if that is required.

**SHOULD YOU HAVE ANY QUESTIONS OR IF ANY OF THE ABOVE WARNING IS UNCLEAR, PLEASE CALL LINEMASTER® SWITCH CORPORATION.**

**860.974.1000**

LINEMASTER® SWITCH CORPORATION reserves the right to discontinue or change specifications, designs or materials, without notice consistent with sound engineering principles and modern practices.



## **LINEMASTER SWITCH CORPORATION**

29 Plaine Hill Road, POB 238  
Woodstock, CT 06281-0238 USA

### **Business Hours**

7:00 AM to 4:30 PM Monday - Friday  
(Eastern Standard Time-EST)

**Telephone** (860) 974-1000

**Fax:** (860) 974-0691  
(800) 974-3668 (Toll Free US Only)

**[www.linemaster.com](http://www.linemaster.com)**