



## MOTOR SPEED CONTROL FOOT SWITCH

The LINEMASTER Motor Speed Control foot switch offers the precision required when operating variable speed equipment. This ergonomic design uses a high impact polymeric cover and base to give the user a durable, long lasting foot switch that will not rust or corrode. Standard models come equipped with dual cordsets to retrofit to many small fractional horsepower universal AC/DC motors. Special variations are available upon request to meet the customer's needs. Only from Linemaster, American made innovation at work.



LINEMASTER Switch Corporation  
Tel (860) 974-1000

29 Plaine Hill Rd, P.O. Box 238  
Woodstock, Connecticut  
06281-0238 USA  
Fax (800) 974-FOOT(3668)



# MOTOR SPEED CONTROL FOOT SWITCH

## FEATURES

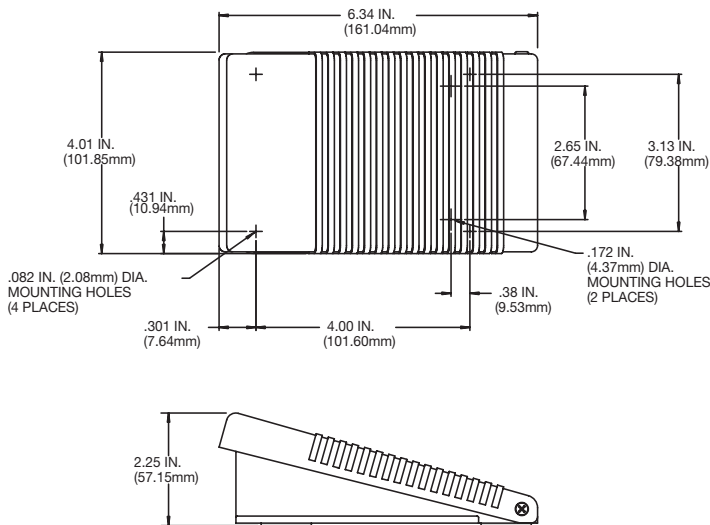
- Variable control of small fractional horsepower universal AC/DC motors only, leaving hands free
- Half wave in the variable speed mode, full wave at full speed
- Standard color is black ; custom colors may be quoted on large O.E.M. orders
- 2 holes provided for rigid mounting to floor or equipment
- Optional steel weight plate available upon request
- Supplied with dual cordsets, single series plug or custom modified for the O.E.M
- Optional SPDT auxiliary off/on switch





## SINGLE

SIZE (HxWxD): 2.25 x 4.00 x 6.34 In.

WEIGHT: 1.21 lbs.



AGENCY APPROVALS	EN 60529 DEGREE OF PROTECTION	CATALOG NUMBER	DESCRIPTION	CORDSET(S)	ELECTRICAL RATINGS
	IP20	980-SC3	Polymeric / Momentary	6 ft. 18/3 SVT with 3-prong plug 1 ft. 18/3 SVT with mating receptacle	6 A 125 VAC 3 A 230 VAC
	IP20	981-SC36	Polymeric / Momentary	6 ft. 18/3 SVT with outer jacket stripped back 1 ft. 18/3 SVT with outer jacket stripped back	6 A 250 VAC 3 A 230 VAC