



HI-TREADLITE FOOT SWITCH

LINEMASTER® introduces its Hi-Treadlite foot switch. This pedal was designed for multiple applications while offering the end user a smaller foot print that is functionally sound. Known for its long life, the Hi-Treadlite can be seen in applications like laser cutting, pad printing, and wire coiling. The Hi-Treadlite is very similar to its brother switch, the Treadlite, but it stands a bit taller for those users looking for a switch that has a little higher starting point. This switch may be small, but the durability of the steel housing and mechanical design can stand up in many different environments. Only from LINEMASTER® - American made innovation at work.



LINEMASTER Switch Corporation
Tel (860) 974-1000

29 Plaine Hill Rd, P.O. Box 238
Woodstock, Connecticut
06281-0238 USA
Fax (800) 974-FOOT(3668)



HI-TREADLITE FOOT SWITCH

FEATURES

- Strong steel housing painted black
- Twin model consists of two single models mounted on a steel plate
- A divider bar between pedals helps to prevent accidental operation
- All wiring between the switches is concealed
- Non-skid basepad for secure placement
- Designed to give a long economical service life
- On multi-pedal models only one cord is brought out the right side eliminating the need for wire junctions & reducing wiring costs
- Heavy gauge steel guards and triple models available
- Rectangular mounting bracket is available on special order. Bracket comes spot-welded to switch base and has two clearance holes for mounting



SINGLE

SIZE (HxWxD): 1.37 x 2.625 x 3.56 In.

WEIGHT: 10 oz.



TWIN

SIZE (HxWxD): 1.50 x 5.44 x 3.56 In.

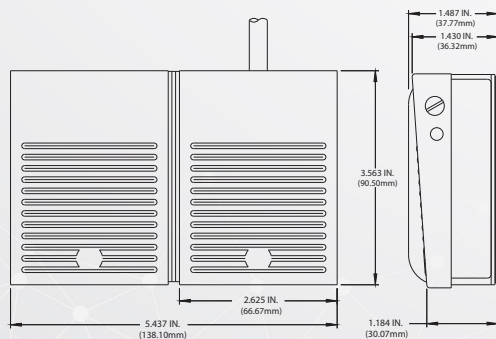
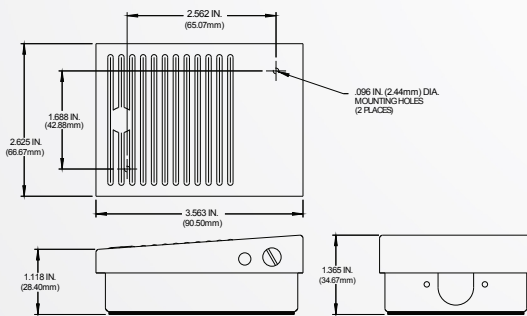
WEIGHT: 1.50 lbs.



CORDED SINGLE

SIZE (HxWxD): 1.37 x 2.625 x 3.56 In.

WEIGHT: 10 oz.



AGENCY APPROVALS	EN 60529 DEGREE OF PROTECTION	CATALOG NUMBER	DESCRIPTION	CIRCUIT	FORM	ELECTRICAL RATINGS
	IP20	HT-52-S	Momentary	SPDT	C	20 A 125-250 VAC 1 H.P. 125-250 VAC
	IP20	HT-52-SC36 ¹	Momentary	SPDT Wired N.O.	A	10 A 125-250 VAC 1/2 H.P. 125 VAC 1 H.P. 250 VAC
	IP20	TWIN HT-52-S	Momentary	SPDT - Each Side	C	20 A 125-250 VAC 1 H.P. 125-250 VAC

¹ Supplied with 6 ft. 16/3 cord without plug. Green lead grounded.