



AQUILINE POLYMERIC FOOT SWITCH

Engineered with an eagle eye on quality and value, the AQUILINE foot switch from Linemaster soars above the rest. Available in multiple polymeric models in SPDT, DPDT, multiple colors, and cabled models. The patented AQUILINE is a versatile solution for applications requiring a precision lightweight foot control. Form follows function in the AQUILINE's graceful curves and patented design, while a non-skid base pad and raised treadle ribs ensure positive performance. The AQUILINE foot switch is available in multiple colors of reinforced polymeric material and available in momentary or maintained actuation. Of course you can always count on the famous consistency and familiar action you get with every Linemaster switch. Only from Linemaster - American made innovation at work.



LINEMASTER Switch Corporation
Tel (860) 974-1000

29 Plaine Hill Rd, P.O. Box 238
Woodstock, Connecticut
06281-0238 USA
Fax (800) 974-FOOT(3668)



AQUILINE POLYMERIC FOOT SWITCH

FEATURES

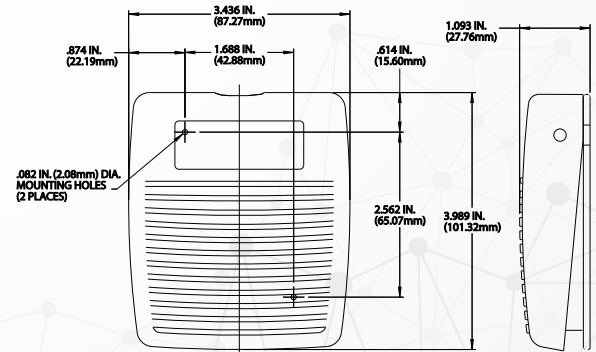
- Easy to Operate-Press and Hold on Actuation (Momentary) or Press On - Release - Press Off Maintained
- SPDT, DPDT, or Two-Stage Operation, Two-Stage Applications are only available in the Metal Version
- Rustproof and Corrosion Proof Reinforced Polymeric material for Light Duty applications
- Available to IP68 Degree of Protection and CE Marked
- Available in Multi-Pedal Versions
- Non-Skid Base Pad and raised Ribs on Cover for Positive Traction during Operation
- Attractive Non-Glare Finish, Custom Colors, and Color Matching Available with Quantity Orders
- Integrated Adjustable Strain Relief Clamp
- Full and Oversized Guard Available



SINGLE

SIZE (HxWxD): 1.09 x 3.44 x 4.00 In.

WEIGHT: 3.60 lbs.



NOTE: ALL DIMENSIONS ARE FOR REFERENCE ONLY.

APPROVALS	EN 60529 DEGREE OF PROTECTION	CATALOG NUMBER	DESCRIPTION	COLOR	CIRCUIT	FORM	ELECTRICAL RATINGS
	IP20	971-S	Polymeric / Momentary	Dark Gray	SPDT	C	
	IP20	971-SA	Polymeric / Momentary	Light Gray	SPDT	C	
	IP20	971-SB	Polymeric / Momentary	Blue	SPDT	C	15 A 125-250 VAC 1/2 H.P. 125-250 VAC
	IP20	971-SO	Polymeric / Momentary	Orange	SPDT	C	
	IP20	971-SY	Polymeric / Momentary	Yellow	SPDT	C	
	IP68	971-SWNO210 ¹	Polymeric / Momentary	Dark Gray	SPST-Wired NO	A	3 A 25 VAC
	IP68	971-SWNO210A ¹	Polymeric / Momentary	Light Gray	SPST-Wired NO	A	
	IP20	971-SC26 ²	Polymeric / Momentary	Dark Gray	SPDT-Wired NO	A	10 A 125-250 VAC 1/2 H.P. 125-250 VAC
	IP20	971-SC26A ²	Polymeric / Momentary	Light Gray	SPDT-Wired NO	A	
	IP20	974-S	Polymeric / Momentary	Dark Gray	DPDT	C	15 A 125-250 VAC 1/2 H.P. 125-250 VAC
	IP20	974-SA	Polymeric / Momentary	Light Gray	DPDT	C	
	IP20	971-DJ	Polymeric / Maintained	Dark Gray	SPST-Wired NO	A	
	IP20	971-DC3J ³	Polymeric / Maintained	Dark Gray	SPST-Wired NO	A	12 A 1 H.P. 250 VAC 1/2 H.P. 125 VAC
	IP20	971-DC26J ⁴	Polymeric / Maintained	Dark Gray	SPST-Wired NO	A	
	IP20	971-DC28J ⁵	Polymeric / Maintained	Dark Gray	SPST-Wired NO	A	

¹Meets IP68 & is supplied with 10 ft. 18/2 cord without plug. ²Supplied with 6 ft. 18/2 cord without plug. ³Supplied with 8 ft. 16/3 cord with 3 prong series plug (Restricts use of foot switch assembly to 125 VAC Only), no ground. ⁴Supplied with 6 ft. 16/2 cord, no ground. ⁵Supplied with 8 ft. 16/2 cord, no ground.