

VANGUARD

FOOT SWITCH



- ▲ The Vanguard air-operated foot switch is ergonomic and versatile. It was designed to operate in various environments, wet or dry, while protecting the customer's critical electrical components. Like the similar Air-Seal model, the Vanguard offers the benefit of isolating the electrically live snap switch from the floor. Molded out of durable PVC the Vanguard will stand the test of time. If a smaller air switch is what you need the hand bulb compliments the Vanguard nicely. With up to 30 feet of range and the ease of interfacing this switch, it is a great choice for many. Only from LINEMASTER® - American made innovation at work.



LINEMASTER Switch Corporation
Tel (860) 974-1000

29 Plaine Hill Road, P.O. Box 238
Woodstock, Connecticut 06281-0238 USA
Fax (800) 974-FOOT(3668)

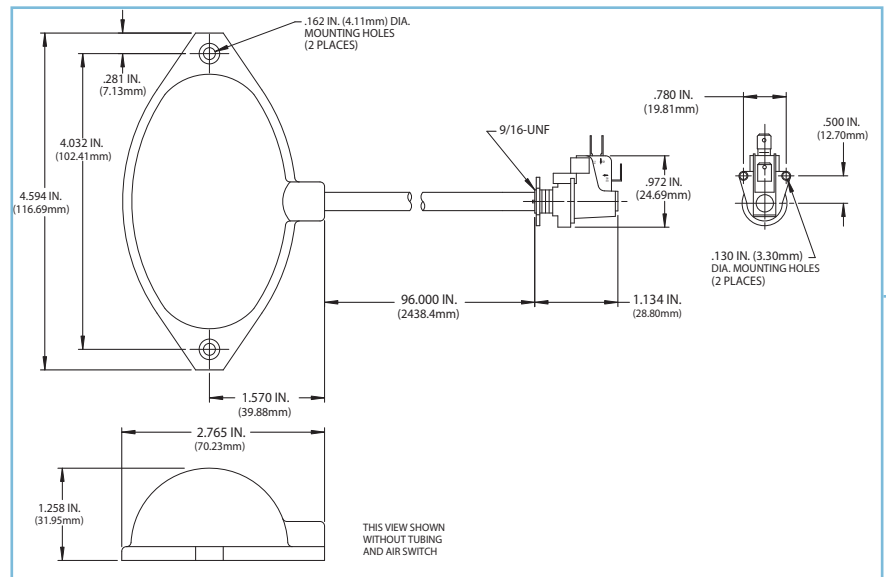
www.linemaster.com

FEATURES:

- Molded PVC bulb and designed with isolated electrical air switch.
- Easy to operate by hand or foot
- Up to 30 foot range using PVC tubing
- Offers environmental protection from short or shock
- Simple field replacement of components
- Application versatility
- Ease of interfacing
- Vanguard standard model supplied with two grommet mounting holes
- Brass fittings and aluminum baseplate
- DPDT models available
- Clear reinforced tubing available
- Air foot switches also available in the Premier and dolphin housings, as well as a hand operated version
- Weight:
Actuating Bulb = 0.20 lbs
Actuating Hand Bulb = 0.15 lbs
Snap Switch = 0.15 lbs
- Size (H x W x D):
Actuating Bulb: 1.26 x 4.59 x 2.77 in.
Actuating Hand Bulb: 1.20 x 2.12 x 1.75 in.
Snap Switch: 1.00 x 0.78 x 0.50 in.



Hand Bulb



Agency Approvals	EN 60529 Degree of Protection	Catalog Number	Description	Circuit	Form	Operating Temperature Range	Electrical Ratings
	IPXX	81SH12	Standard Momentary	SPDT	C	10° F to 120° F ¹	20A 125-250 VAC 1 H.P. 125-250 VAC 2 H.P. 250 VAC
	IPXX	81DH12	Standard Maintained				
	IPXX	PBSH12	Hand Bulb Momentary				

¹ The operating temperature range will vary with different lengths of tubing. Please consult the factory for details.