

G E M

F O O T S W I T C H



- ▲ LINEMASTER® is pleased to present the one of a kind GEM foot switch series. This omnidirectional foot switch solution has a sleek design that makes actuation of the foot switch a breeze for the end user. The robust diecast housing and polymeric material cover promote a long life without sacrificing looks. The GEM is seen widely in both the medical and industrial markets, most noticeably in the tattoo and electro-surgical fields. Offered with a vinyl cover for environmental protection against limited amounts of fluids. This switch is a stylish and reliable choice for anyone. Only from LINEMASTER® - American made innovation at work.



LINEMASTER Switch Corporation
Tel (860) 974-1000

29 Plaine Hill Road, P.O. Box 238
Woodstock, Connecticut 06281-0238 USA
Fax (800) 974-FOOT(3668)

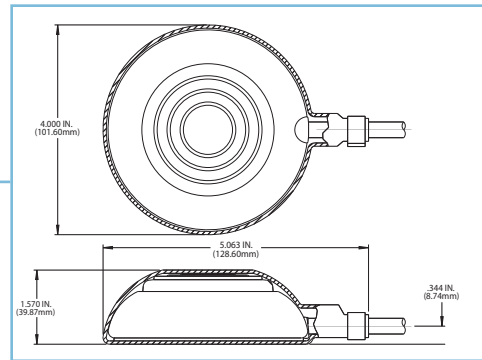
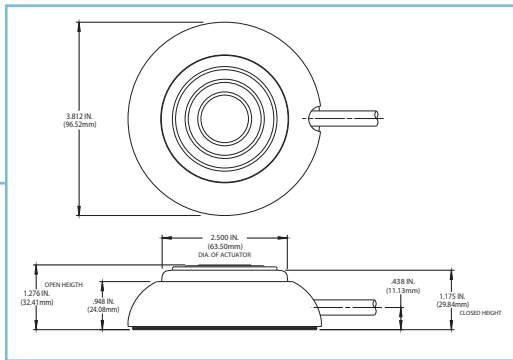
FEATURES:

- Mounted in a chrome plated heavy zinc die cast housing.
- Full non-skid base pad.
- Round black plastic actuating cap.
- Moderate pressure from any direction operates the switch.
- A special vinyl cover gives added environmental protection against limited amounts of water.
- Special paint finishes available.
- Silk Screening is available.
- Special wiring channel with or without side protectors available.
- European type foot switch is offered pre-wired with 3 conductor cordset having brown, blue, and green/yellow colored leads. It is a momentary contact and wired normally open with green/yellow lead grounded to the switch base.
- (V series) weight = 1.00 lbs. (VK series) weight = 1.50 lbs.



VK Series

V Series



Agency Approvals	EN 60529 Degree of Protection	Catalog Number	Description	Circuit	Form	Electrical Ratings
	IP21	GEM-VK3 ¹	Momentary / Vinyl Cover	SPST Wired N.O.	A	10 A 125 VAC 1/2 H.P. 125 VAC
	IP21	GEM-VK36 ²	Momentary / Vinyl Cover	SPST Wired N.O.	A	10 A 125-250 VAC 1/2 H.P. 125-250 VAC
	IP20	GEM-VCEA ³	Momentary	SPST Wired N.O.	A	10 A 125-250 VAC 1/2 H.P. 125-250 VAC
	IP20	GEM-V2	Momentary	SPDT	C	15 A 125-250 VAC 1/2 H.P. 125-250 VAC
	IP20	GEM-V3 ¹	Momentary	SPST Wired N.O.	A	10 A 125 VAC 1/2 H.P. 125 VAC
	IP20	GEM-V36 ²	Momentary	SPST Wired N.O.	A	10 A 125-250 VAC 1/2 H.P. 125-250 VAC

¹ Supplied with a 6 ft. 18/3 cord and 3 prong series plug. Green lead grounded. ² Supplied with 6 ft. 18/3 cord without plug. Green lead grounded. ³ Supplied with 2 meter 18/3 brown, blue & green/yellow leads.