

# D O L P H I N

---

## F O O T S W I T C H



▲ LINEMASTER® presents the Dolphin foot switch. The Dolphin is unique in the way it can be actuated. Unlike many of the other foot controls offered by LINEMASTER®, the Dolphin is a circular switch that has 360 degrees of actuating points. Used widely in both industrial and medical applications, this switch is very diverse. The Dolphin can be seen in applications ranging from order picker trucks to use in the ophthalmic field. The unique design offers the end user a different look and a waterproof solution. Being made from robust plastic makes the weight of the switch miniscule, but if the user needs to add a little weight to the switch a heavy gauge steel plate can be attached to the bottom. Only from LINEMASTER® - American made innovation at work.

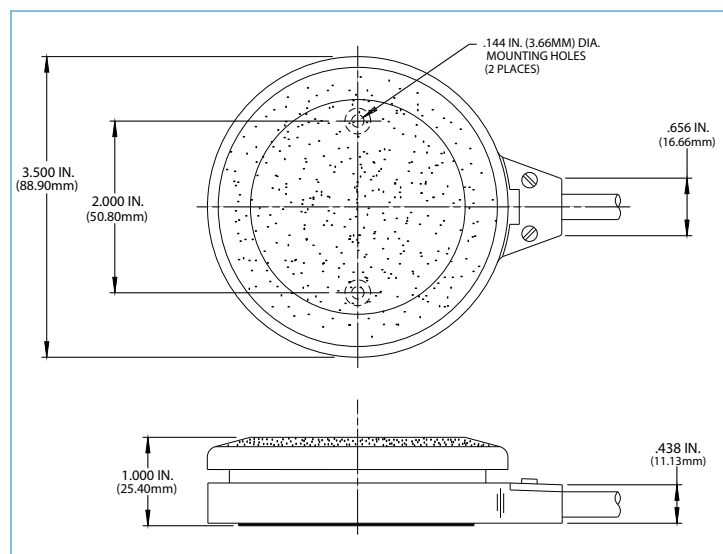
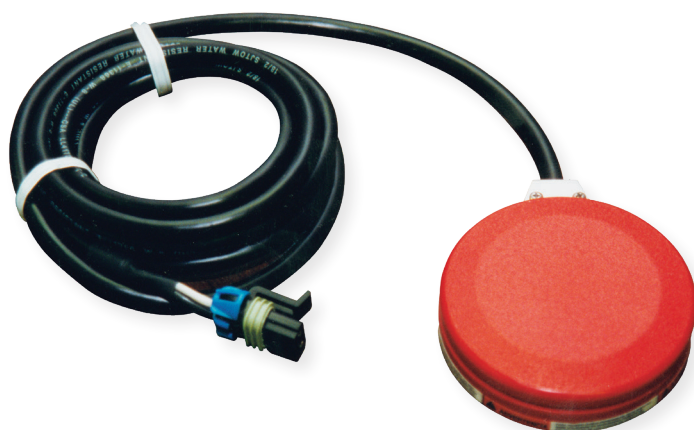


LINEMASTER Switch Corporation  
Tel (860) 974-1000

29 Plaine Hill Road, P.O. Box 238  
Woodstock, Connecticut 06281-0238 USA  
Fax (800) 974-FOOT(3668)

## FEATURES:

- Actuation from any direction with moderate pressure.
- The cover & base is molded from a high impact polymeric compound.
- Base includes mounting provisions.
- Waterproof to IP68 Degree of Protection.
- Non-skid basepad for secure placement.
- Stainless steel weight plate available.
- Available in RED for production quantities.
- Weight = 9.00 oz.



Agency Approvals	EN 60529 Degree of Protection	Catalog Number	Description	Circuit	Form	Electrical Ratings
	IP68	D41-SNO28 <sup>1</sup>	Momentary	SPST Wired N.O.	A	5 A Resistive 125 VAC 28 VDC 3 A General Purpose 125 VAC

<sup>1</sup> Supplied with 8 ft. 18/2 cord without plug.