



CLASSIC - REED FOOT SWITCH

LINEMASTER's Classic-Reed foot switch series adds to a line of high quality and durable foot controls. The Classic - Reed is a versatile foot switch that can be utilized in a wide range of applications from medical to medium duty industrial. The rugged cast aluminum housing offers an EN 60529 Degree of Protection of IP20 (IP68 upon request). Do you have special requirements? Please contact Linemaster for a quotation for a custom variation built to your specifications, including cordset, paint finish and labeling.

LIT-057 Rev. B



LINEMASTER Switch Corporation
Tel (860) 974-1000

29 Plaine Hill Rd, P.O. Box 238
Woodstock, Connecticut 06281-0238 USA
Fax (800) 974-FOOT(3668)

www.linemaster.com

CLASSIC - REED FOOT SWITCH

FEATURES

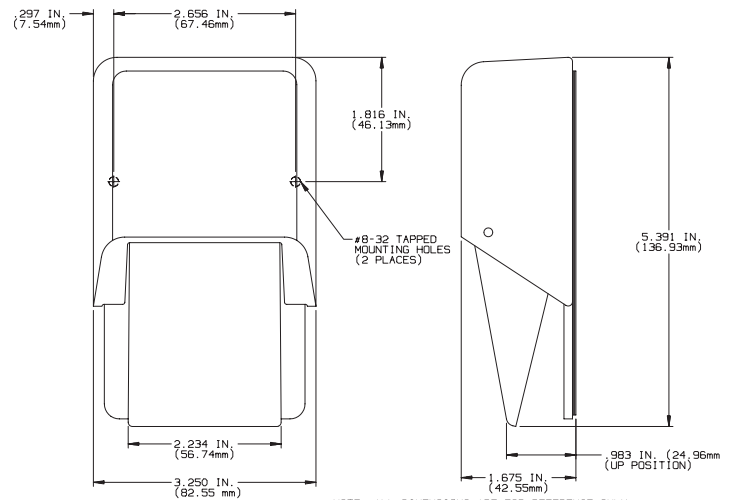
- Cast aluminum housing painted black
- Cast aluminum treadle baseplate with nonskid base pad
- Single stage momentary contact
- Internal strain relief clamp accepts a wide range of cable sizes
- Versatility of this model makes it ideal for O.E.M devices
- EN 60529 Degree of Protection IP20 (IP68 Upon Request)
- Clean lines and compact desing with a modest cost




SINGLE

SIZE (HxWxD): 1.68 x 3.25 x 5.39 In.

WEIGHT: 1.13 lbs.



AGENCY APPROVALS	EN 60529 DEGREE OF PROTECTION	CATALOG NO.	DESCRIPTION	CIRCUIT	FORM	ELECTRICAL RATING
	IP20	77SN9P ¹	Momentary	SPDT-N.O. Grounded	A	500 MA 120 VAC 100VDC 10 Watts Max.

¹ 6 ft. 18/3 SVT without plug.