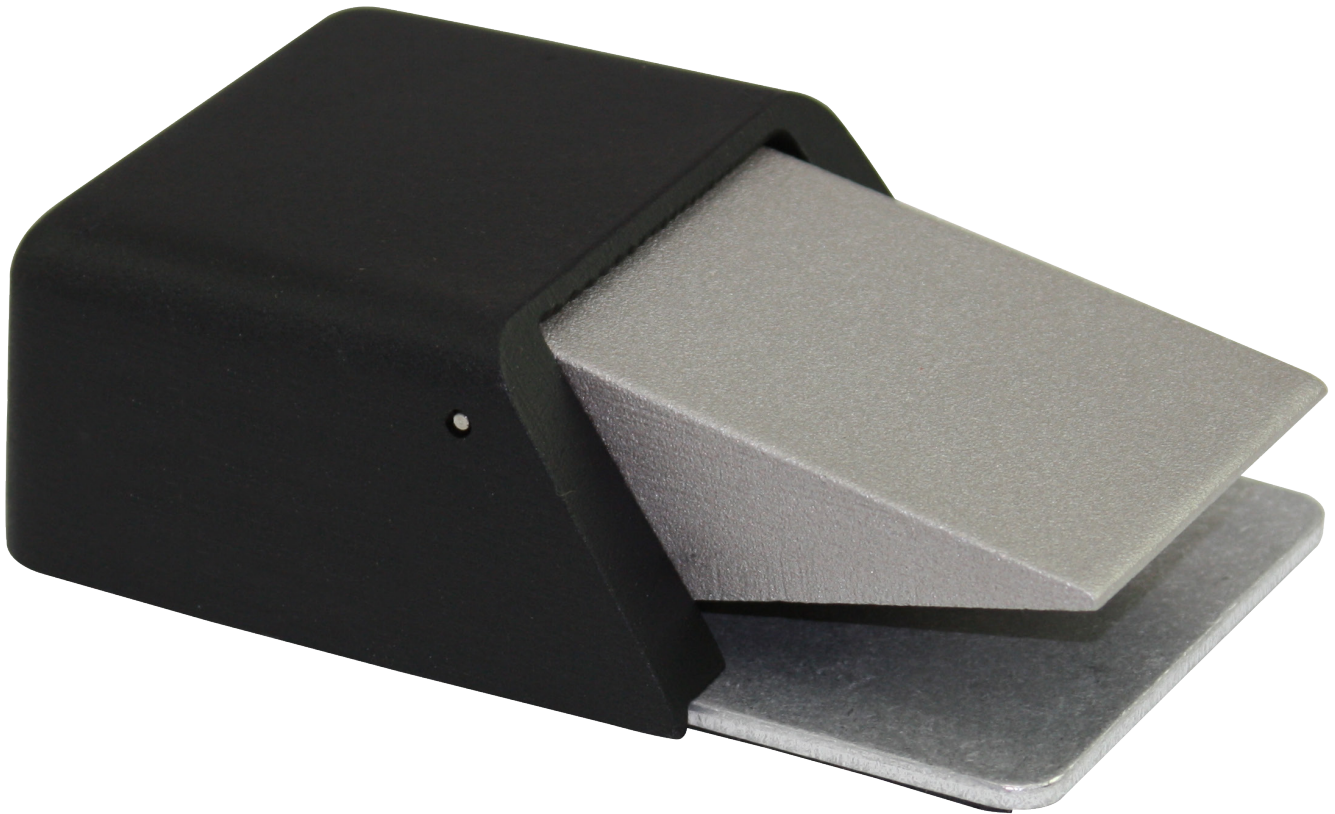


CLASSIC

FOOT SWITCH



- ▲ The LINEMASTER® Classic foot switch series continues the line of high quality and durable pedal options offered in single variations as standard models. The Classic is a versatile foot switch that can be utilized in a wide range of applications from medical to medium duty industrial. The rugged cast aluminum housing offers an EN 60529 Degree of Protection IP20 (IP68 upon request). Do you have special requirements? Please contact Linemaster for a quotation for a custom variation built to your specifications, including hall effect technology, custom cordset, paint finish and labeling.



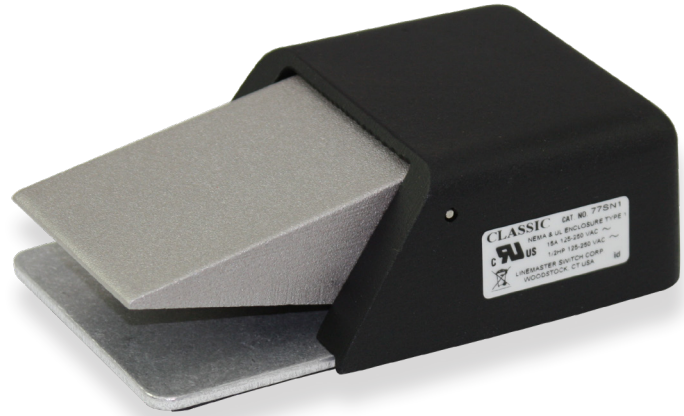
LINEMASTER Switch Corporation
Tel (860) 974-1000

29 Plaine Hill Road, P.O. Box 238
Woodstock, Connecticut 06281-0238 USA
Fax (800) 974-FOOT(3668)

www.linemaster.com

FEATURES:

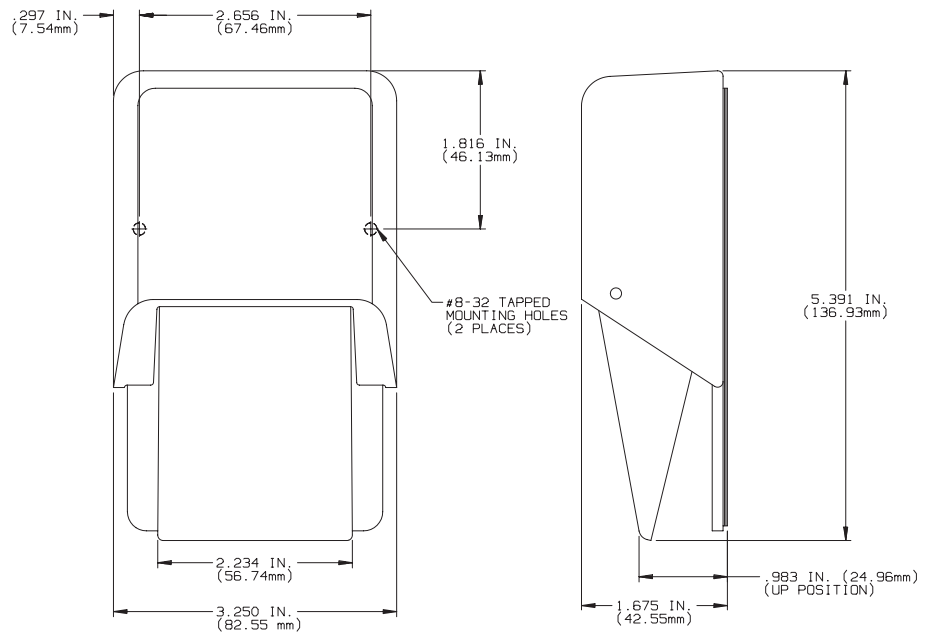
- Cast Aluminum Body Painted Black
- Single Stage Momentary Contact
- Clean Lines and Compact Design with a Modest Cost
- EN 60529 Degree of Protection IP20 (IP68 Upon Request)
- Internal Strain Relief Clamp accepts a wide range of cable sizes
- Cast Aluminum Treadle and Base Plate with nonskid base pad
- Versatility of this Model Makes it ideal for O.E.M. Devices




SINGLE MODEL

SIZE: 1.68 in x 3.25 in x 5.39 in

WEIGHT: 1.13 lbs.



Agency Approvals	Catalog No.	Description	Type	Circuit	Form	Electrical Rating
	77SN1	Momentary	UnGuarded	SPDT	C	15 A 125 VAC 1/2 H.P. 125-250 VAC