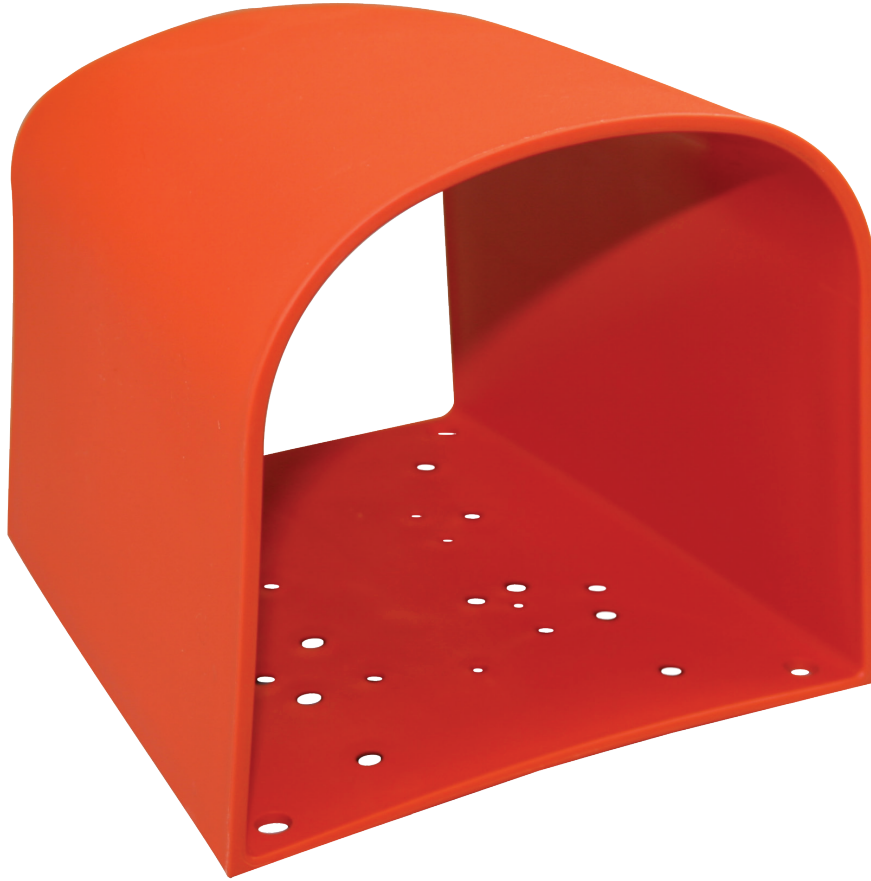


A W A R E N E S S

C O V E R



- ▲ Linemaster introduces the Awareness Cover for foot switches. The Awareness Cover is a rugged molded polymeric material that is highly visible, impact resistant and can be cleaned using a wide range of cleaning materials. The Awareness Cover can be used in foot switch applications that do not require a heavy gage steel guard but would benefit from the added visibility and lightweight protection it offers. Such as medical applications, dispensing equipment, book binding machines, photographic equipment, food service, communications and many more.



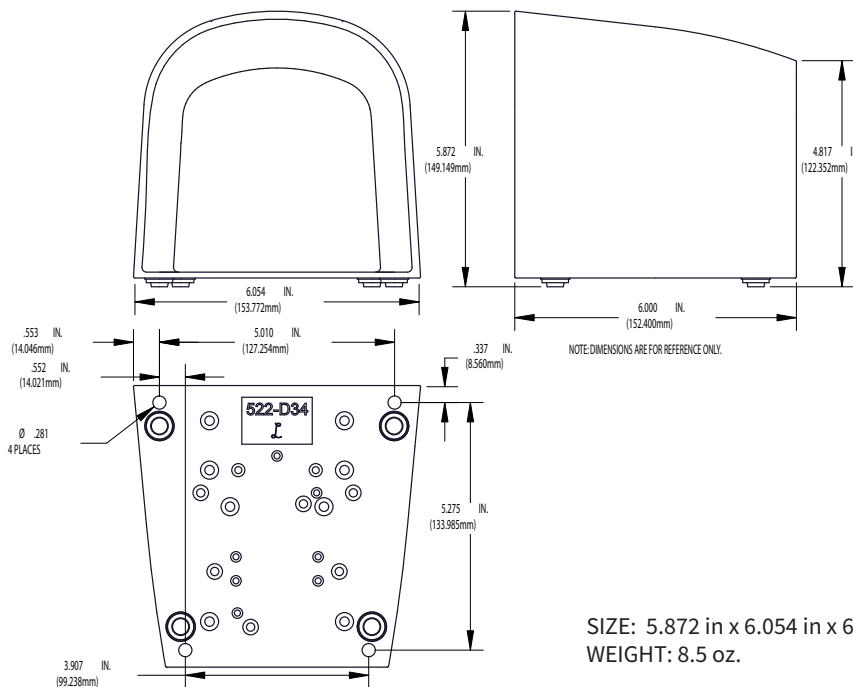
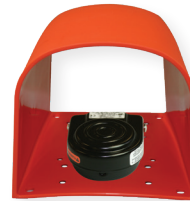
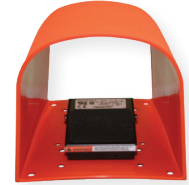
LINEMASTER Switch Corporation
Tel (860) 974-1000

29 Plaine Hill Road, P.O. Box 238
Woodstock, Connecticut 06281-0238 USA
Fax (800) 974-FOOT(3668)

www.linemaster.com

FEATURES:

- Alerts you to the location of the foot switch
- Watch for Tripping Hazards
- Accepts Wide Range of Foot Switch Models
- Resistant to Impact
- Ergonomic Design to Accommodate Most Footwear
- Non-Corrosive Material
- Exceptional Value and Quality
- Standard Color is High Visibility Alert Orange
- Special Variations Available in Production Quantities
- Complete with Non-Skid Feet
- Opening is Large and Easy to Access
- Versatile and Lightweight
- Entire Foot Switch Covered
- Resistant to cleaning Liquids



Call Linemaster today for more information on an awareness cover that is right for your application. Most Foot Switches can be sold with the Awareness Cover Attached. Call our factory for Retro-fit applications.